

JEBERKOWITZ, L.P.

ALL GLASS DOORS - DETAIL CATALOG

OFFICE AND MANUFACTURING

ONE GATEWAY BOULEVARD
PEDRICKTOWN, NEW JERSEY 08067

TEL: 800-257-7827

FAX: 856-299-4344

ESTIMATING AND TECHNICAL SUPPORT

60 WEST CHURCH STREET
P.O. BOX 906

MARTINSVILLE, VA. 24114

TEL: 276-638-3667

FAX: 276-638-3669

WWW.JEBERKOWITZ.COM

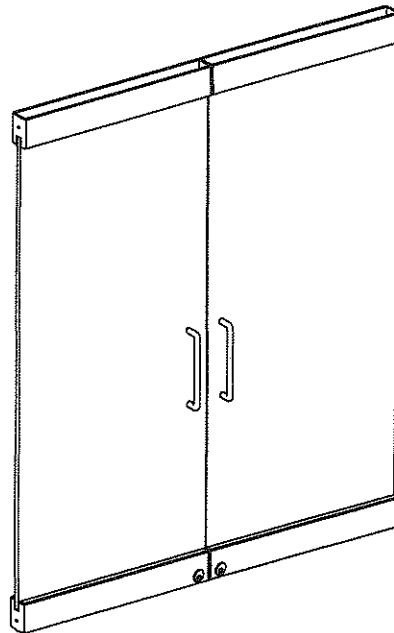


TABLE OF CONTENTS

DOOR TYPE 'P' (FULL TOP AND BOTTOM RAIL):

ELEVATIONS

WITH OVERHEAD CONCEALED CLOSERS:

- PE-1 (PAIR)
- PE-2 (PAIR WITH SIDELITES)

WITH FLOOR CLOSERS:

- PE-3 (PAIR)
- PE-4 (PAIR WITH SIDELITES)

DETAILS

WITH OVERHEAD CONCEALED CLOSERS:

- P-1 (HEAD)
- P-2 (BOTTOM PATCH)

WITH FLOOR CLOSERS:

- P-3 (HEAD)
- P-4 (BOTTOM PATCH)

DOOR TYPE 'BP' (TOP PATCH FITTING/FULL BOTTOM RAIL):

ELEVATIONS

WITH OVERHEAD CONCEALED CLOSERS:

- BPE-1 (PAIR)
- BPE-2 (PAIR WITH SIDELITES)

WITH FLOOR CLOSERS:

- BPE-3 (PAIR)
- BPE-4 (PAIR WITH SIDELITES)
- BPE-5 (PAIR WITH TRANSOM)

DETAILS

WITH OVERHEAD CONCEALED CLOSERS:

- BP-1 (HEAD)
- BP-2 (BOTTOM PATCH)

WITH FLOOR CLOSERS:

- BP-3 (HEAD)
- BP-4 (BOTTOM PATCH)
- BP-5 (TRANSOM PATCH)

TABLE OF CONTENTS**DOOR TYPE 'A' (TOP/BOTTOM PATCH FITTING):****ELEVATIONS**

WITH OVERHEAD CONCEALED CLOSERS:

AE-1 (PAIR)

AE-2 (PAIR WITH SIDELITES)

WITH FLOOR CLOSERS:

AE-3 (PAIR)

AE-4 (PAIR WITH SIDELITES)

AE-5 (PAIR WITH TRANSOM)

DETAILS

WITH OVERHEAD CONCEALED CLOSERS:

A-1 (HEAD)

A-2 (BOTTOM PATCH)

WITH FLOOR CLOSERS:

A-3 (HEAD)

A-4 (BOTTOM PATCH)

A-5 (TRANSOM PATCH)

DOOR TYPE 'F' (TOP/BOTTOM PATCH FITTINGS W/LOCK PATCH):**ELEVATIONS**

WITH OVERHEAD CONCEALED CLOSERS:

FE-1 (PAIR)

FE-2 (PAIR WITH SIDELITES)

WITH FLOOR CLOSERS:

FE-3 (PAIR)

FE-4 (PAIR WITH SIDELITES)

FE-5 (PAIR WITH TRANSOM)

DETAILS

WITH OVERHEAD CONCEALED CLOSERS:

F-1 (HEAD)

F-2 (BOTTOM PATCH)

WITH FLOOR CLOSERS:

F-3 (HEAD)

F-4 (BOTTOM PATCH)

F-5 (TRANSOM PATCH)

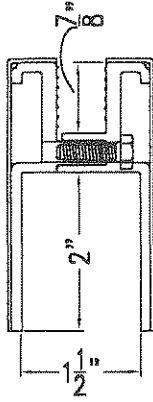
TABLE OF CONTENTS CONTINUED-(DETAILS)

- DM-1 (DOOR RAIL MEETING)
- DM-2 (DOOR MEETING W/PATCH FITTINGS)
- DJ-1 (DOOR JAMB AT WALL)
- SL-1 (SIDELIGHT/DOOR MEETING)
- SL-2 (SIDELIGHT AT JAMB)
- SL-3 (SIDELIGHT HEADER)
- SL-4 (SIDELIGHT SILL)
- SL-5 (SIDELIGHT CHANNEL HEAD)
- SL-6 (SIDELIGHT CHANNEL SILL)
- SL-7 (SLIDER BOTTOM RAILS)
- SL-8 (SLIDER HEADER)
- SL-9 (SLIDER MEETING)
- VS-1 (VERTICAL STILE)

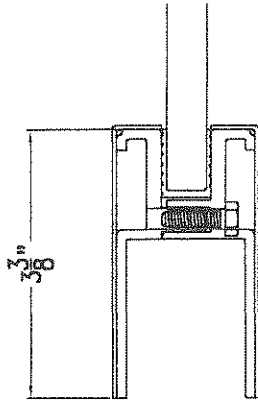
TABLE OF CONTENTS-(HARDWARE)

- H1 (OVERHEAD CONCEALED CLOSER)
- H2 (FLOOR CLOSER)
- H3 (WALKING BEAM PIVOT)
- H3A (SURFACE MOUNTED TOP PIVOT)
- H4 (FLOOR PIVOT)
- H4A (FLOOR PIVOT FOR B & BP STYLE DOORS)
- H5 (BOTTOM RAIL LOCK)
- H6 (OVERHEAD ANGLE STOP)
- H7 (TRANSOM/SIDELIGHT CORNER PATCH)
- H8 (WALL MOUNTED/TRANSOM PATCH)
- H9 (TRANSOM/PIVOT PATCH WITH FIN-ELEVATION)
- H10A (BOTTOM LOCK PATCH)
- H10 (BOTTOM PIVOT PATCH)
- H11 (12" STRAIGHT BACK TO BACK PULL HANDLES)
- H12 (12" OFFSET BACK TO BACK PULL HANDLES)
- H13 (12" PULL X 28" PUSH BAR-PUSH AT TOP)
- H14 (12" PULL X 28" PUSH BAR-PUSH AT BOTTOM)
- H15 (HEADER TUBE OPTIONS)
- H16 (SIDELIGHT HEADER TUBE WITH GLASS)

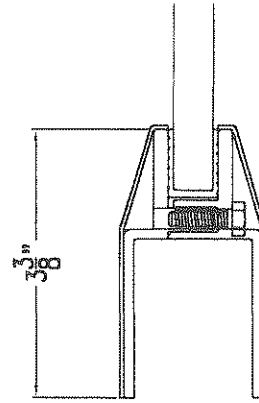
TABLE OF CONTENTS--(RAIL OPTIONS)



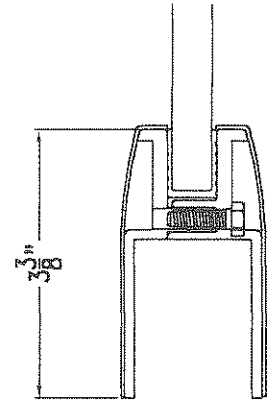
TYPICAL WEB DIMENSIONS



3 3/8" SQUARE

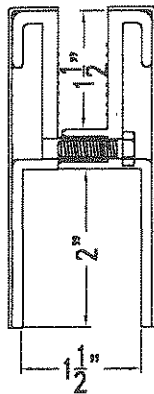


3 3/8" BEVELED

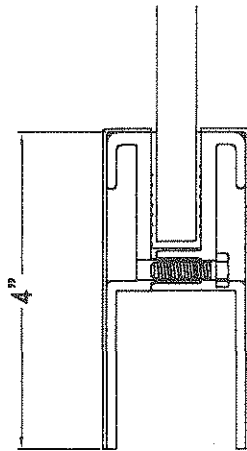


3 3/8" RADIUS

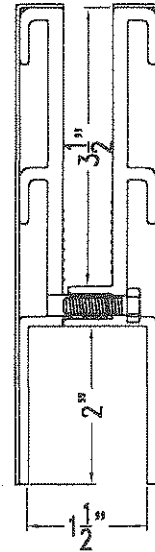
3 3/8" PROFILE OPTIONS



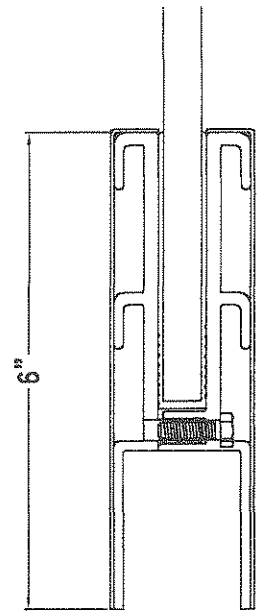
TYPICAL WEB DIMENSIONS



4" SQUARE



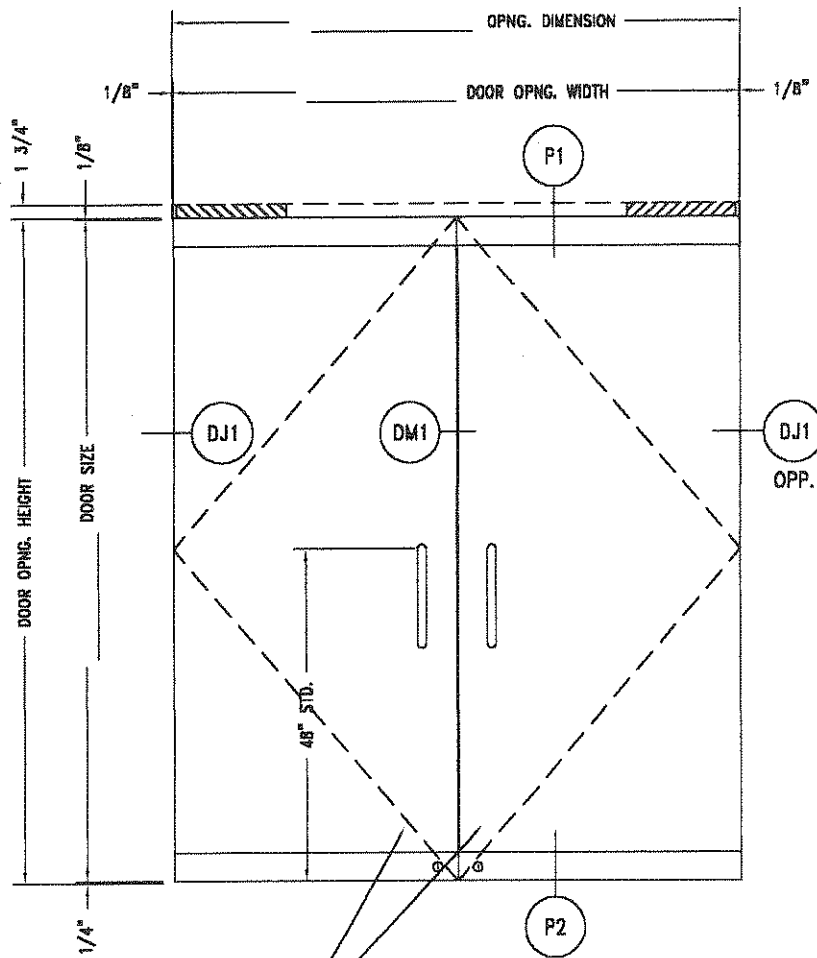
TYPICAL WEB DIMENSIONS



6" SQUARE

TABLE OF CONTENTS

RAIL OPTIONS



1/2" CLEAR TEMPERED GLASS
[POLISHED VERTICAL EDGES]

ELEVATION VIEW OF TYPE P DOORS
WITH OVERHEAD CONCEALED CLOSER

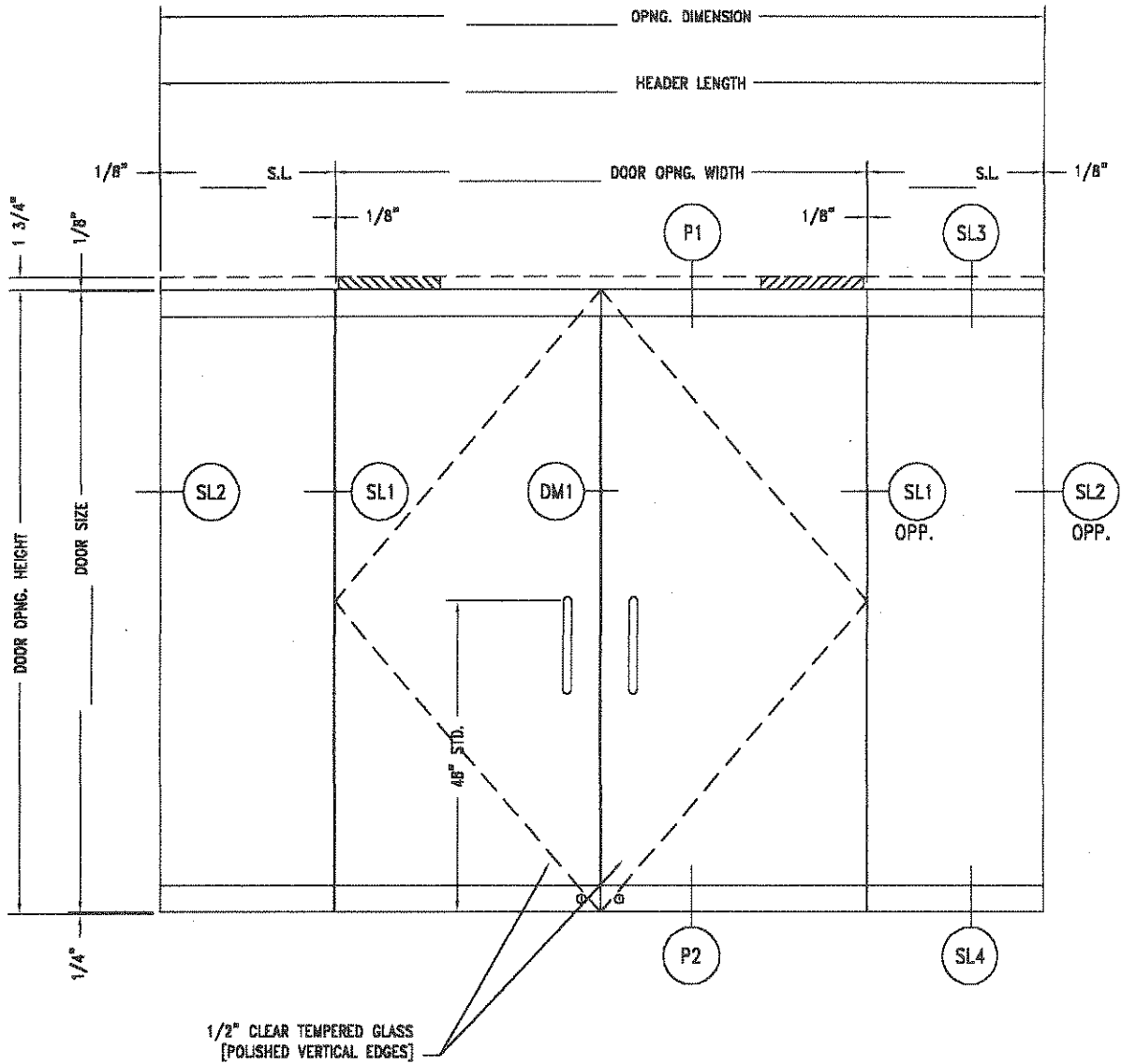
FULL RAIL ENTRANCES

TYPICAL DOOR CONFIGURATIONS

PAIR / NO SIDELITES

DWG. NO.

PE-1



ELEVATION VIEW OF TYPE P DOORS
WITH OVERHEAD CONCEALED CLOSER

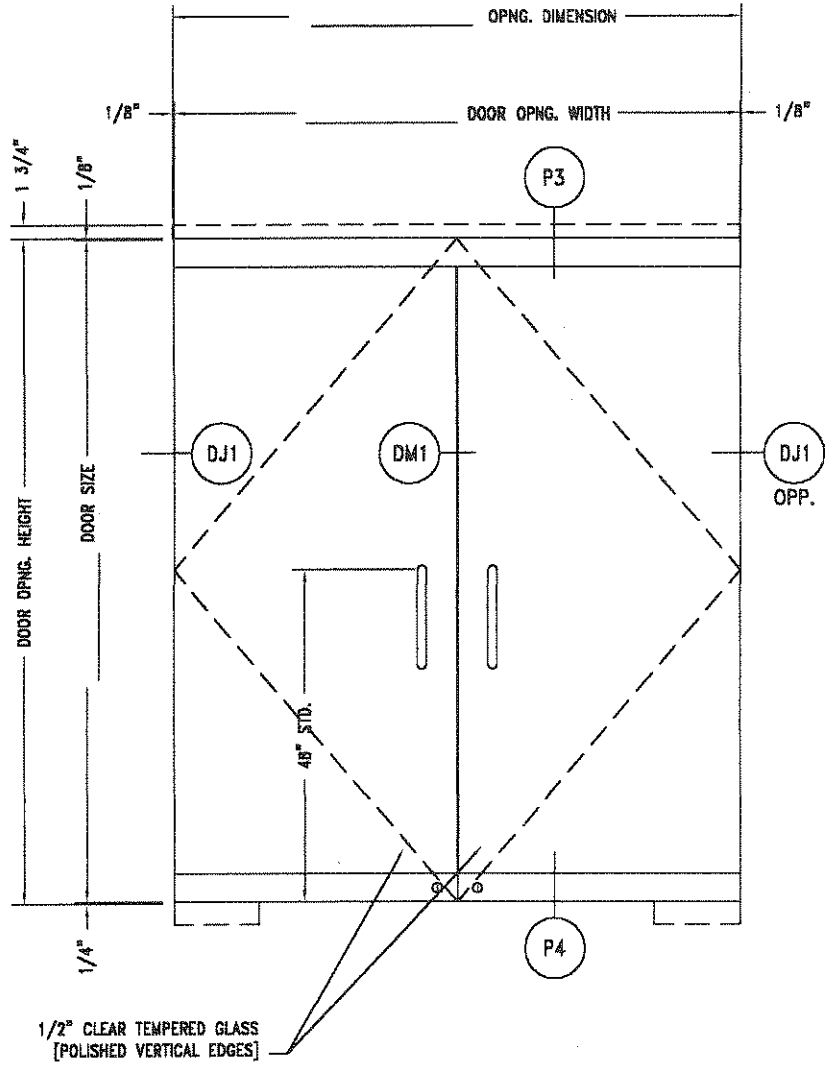
FULL RAIL ENTRANCES

TYPICAL DOOR CONFIGURATIONS

DWG. NO.

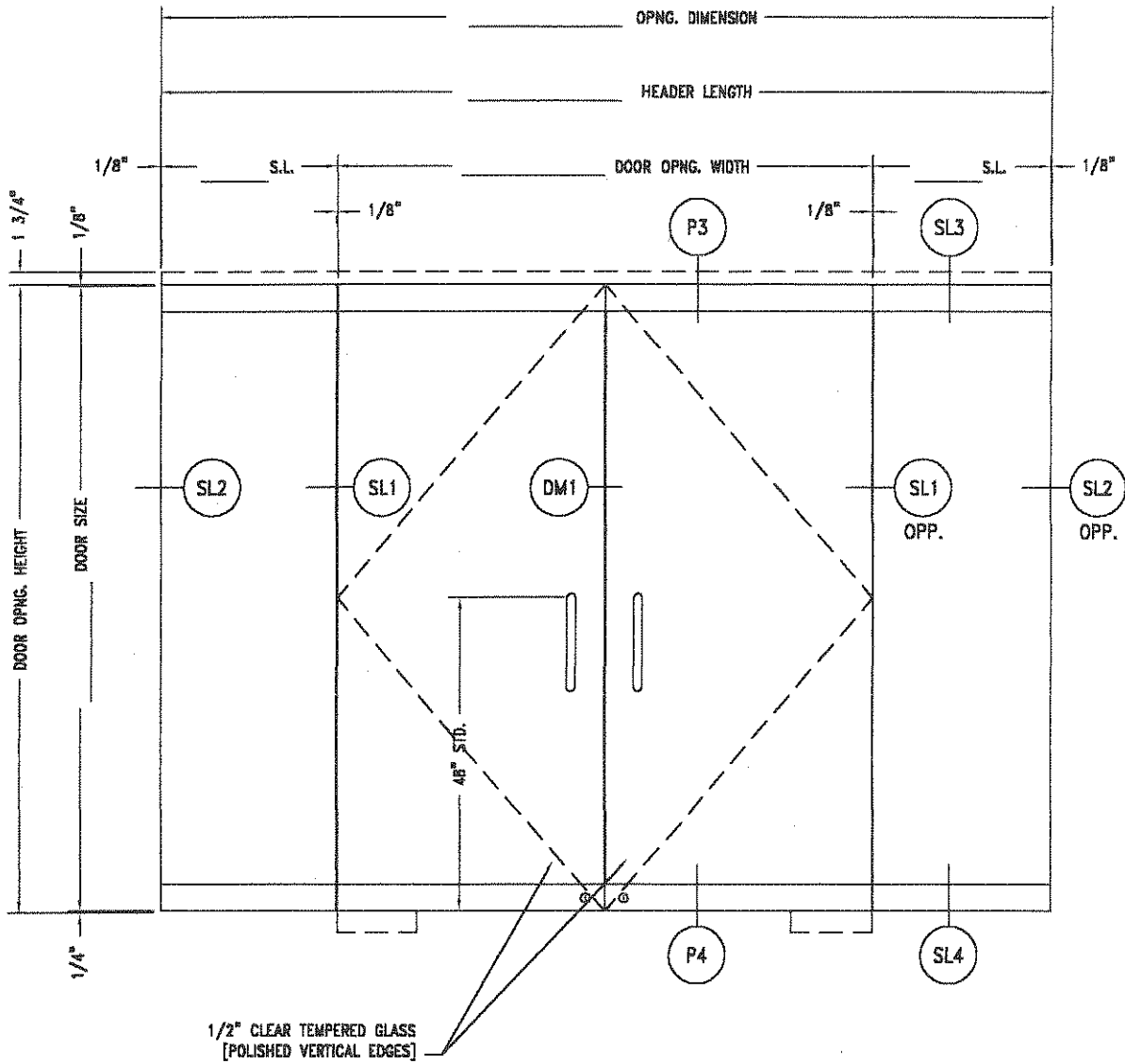
PAIR WITH SIDELITES

PE-2



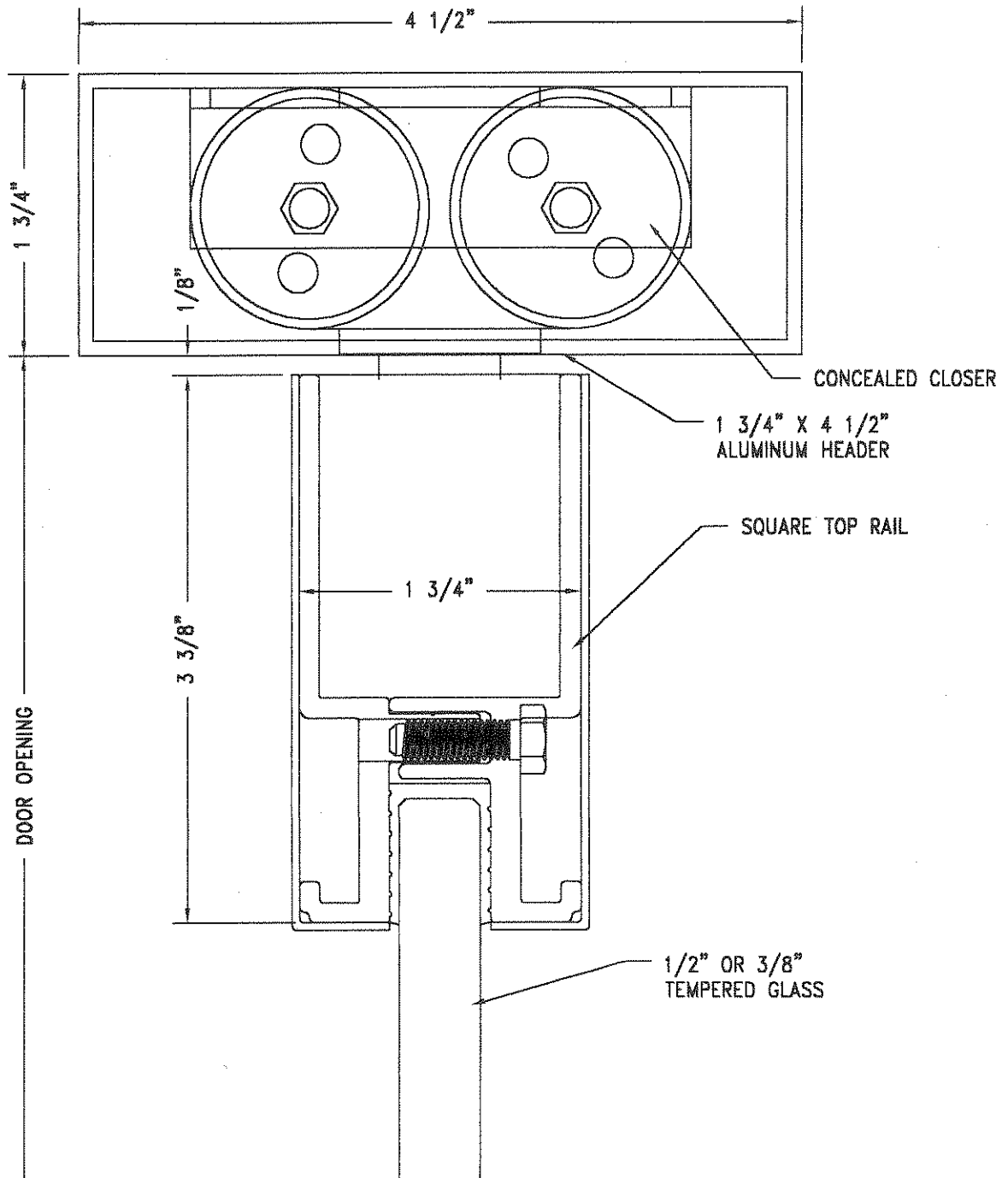
ELEVATION VIEW OF TYPE P DOORS
WITH FLOOR CLOSER

FULL RAIL ENTRANCES	TYPICAL DOOR CONFIGURATIONS	DWG. NO.
	PAIR / NO SIDELITES	PE-3



ELEVATION VIEW OF TYPE P DOORS
WITH FLOOR CLOSER

FULL RAIL ENTRANCES	TYPICAL DOOR CONFIGURATIONS	DWG. NO.
	PAIR WITH SIDELITES	PE-4

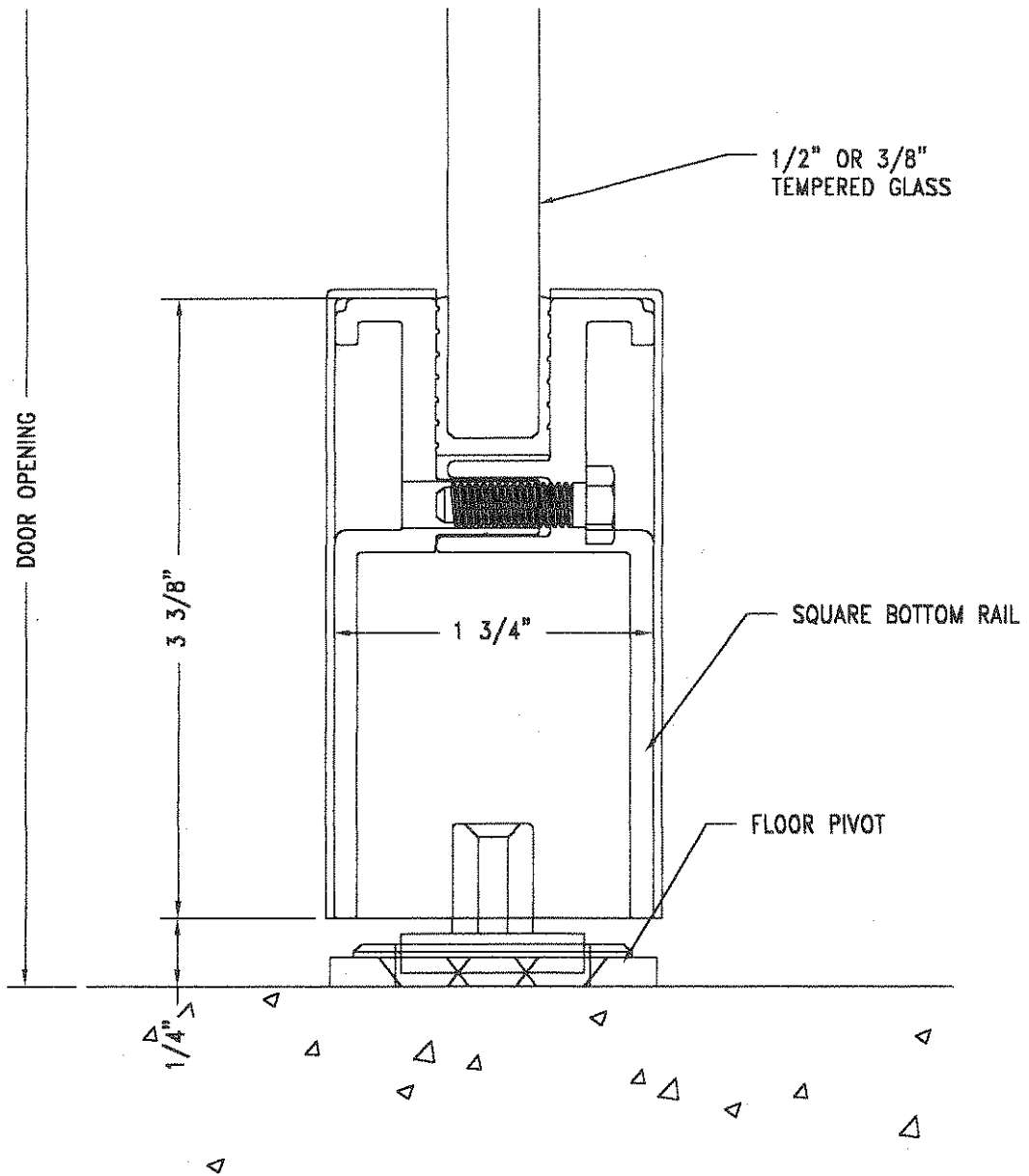


TYPICAL ENTRANCE DETAILS

TYPE 'P' HEADER

DWG. NO.

P1

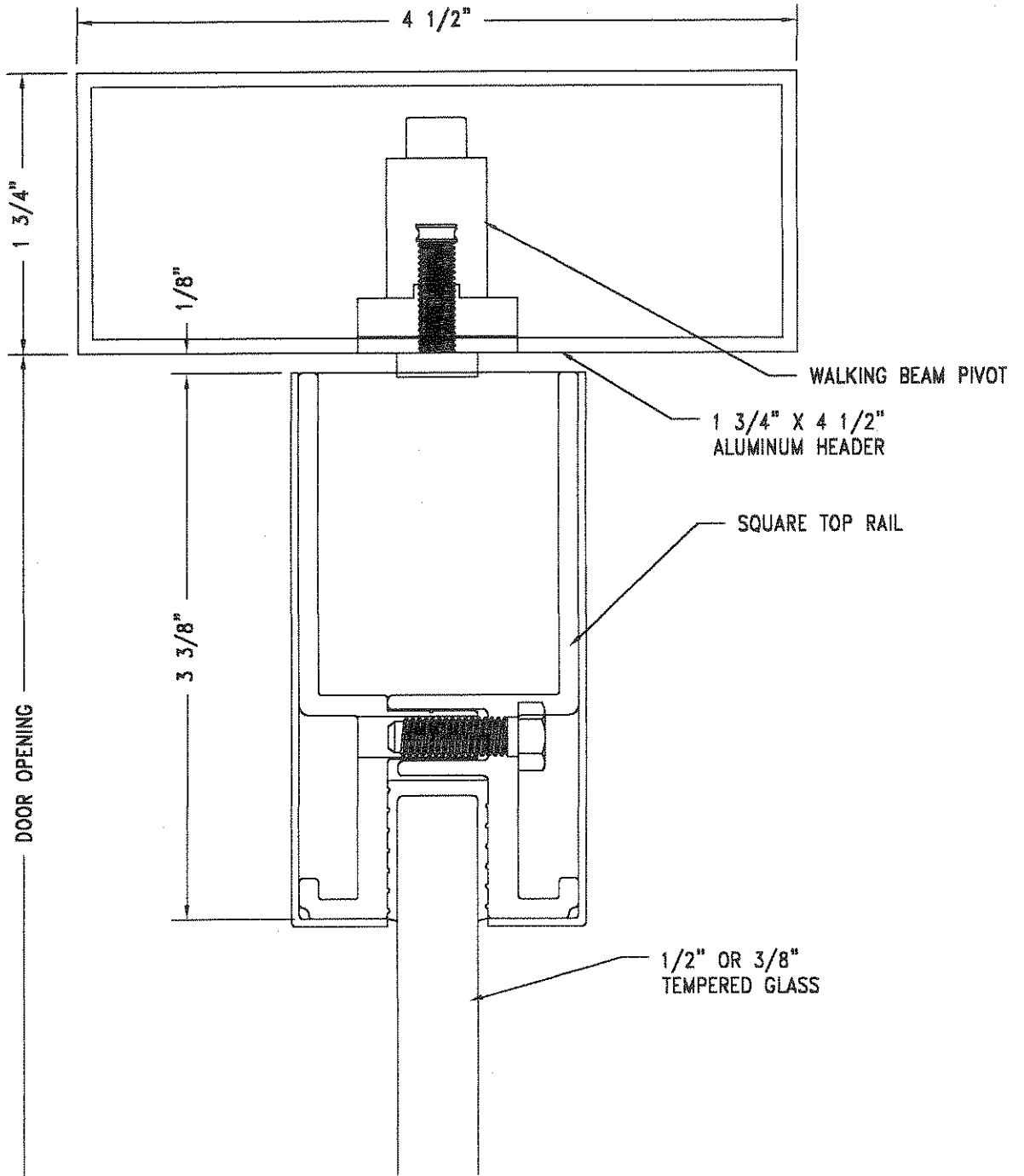


TYPICAL ENTRANCE DETAILS

TYPE 'P' BOTTOM RAIL

DWG. NO.

P2

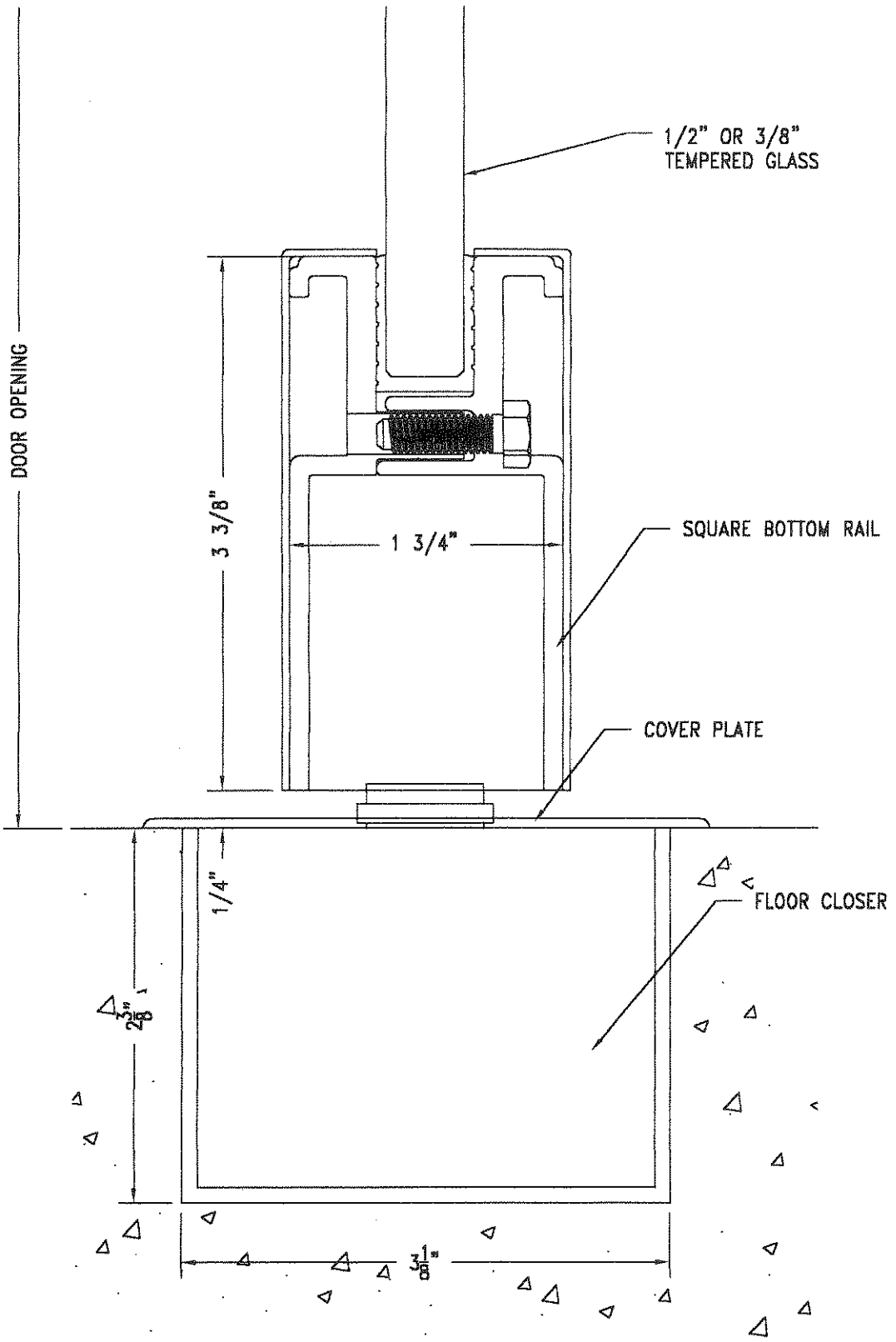


TYPICAL ENTRANCE DETAILS

TYPE 'P' HEADER

DWG. NO.

P3

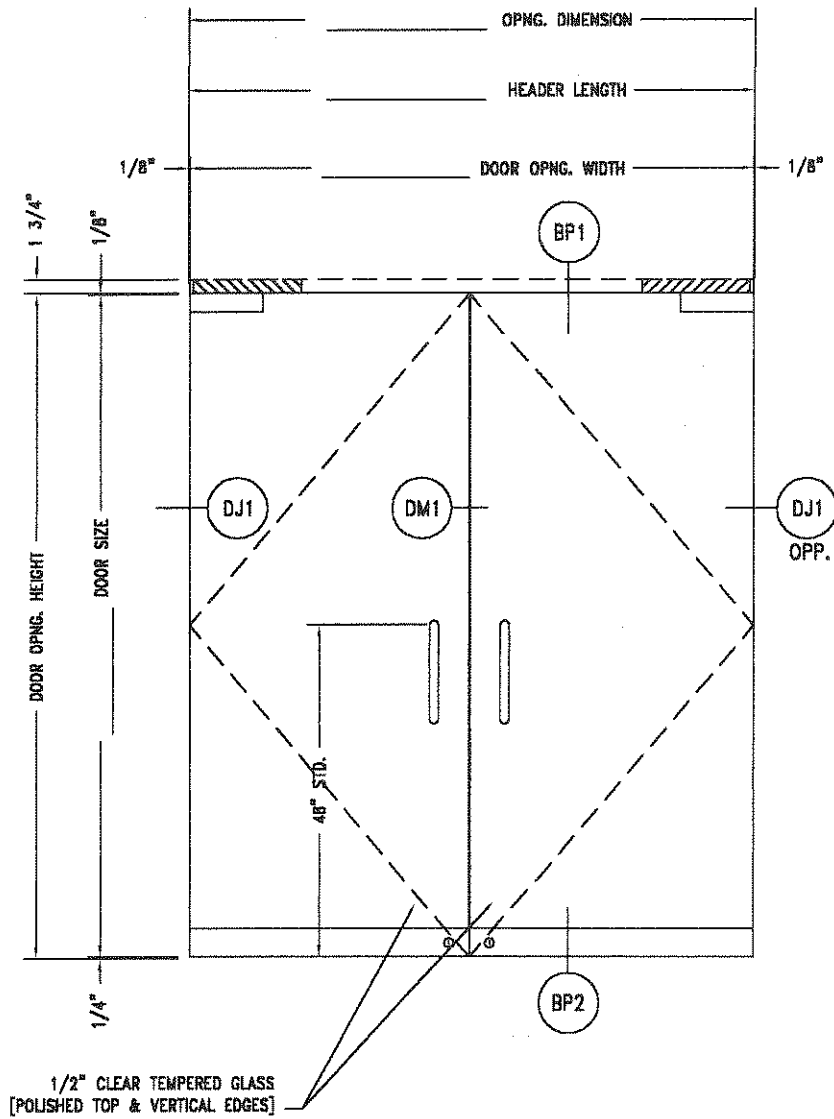


TYPICAL ENTRANCE DETAILS

TYPE 'P' BOTTOM RAIL

DWG. NO.

P4



ELEVATION VIEW OF TYPE BP DOORS
WITH OVERHEAD CONCEALED CLOSER

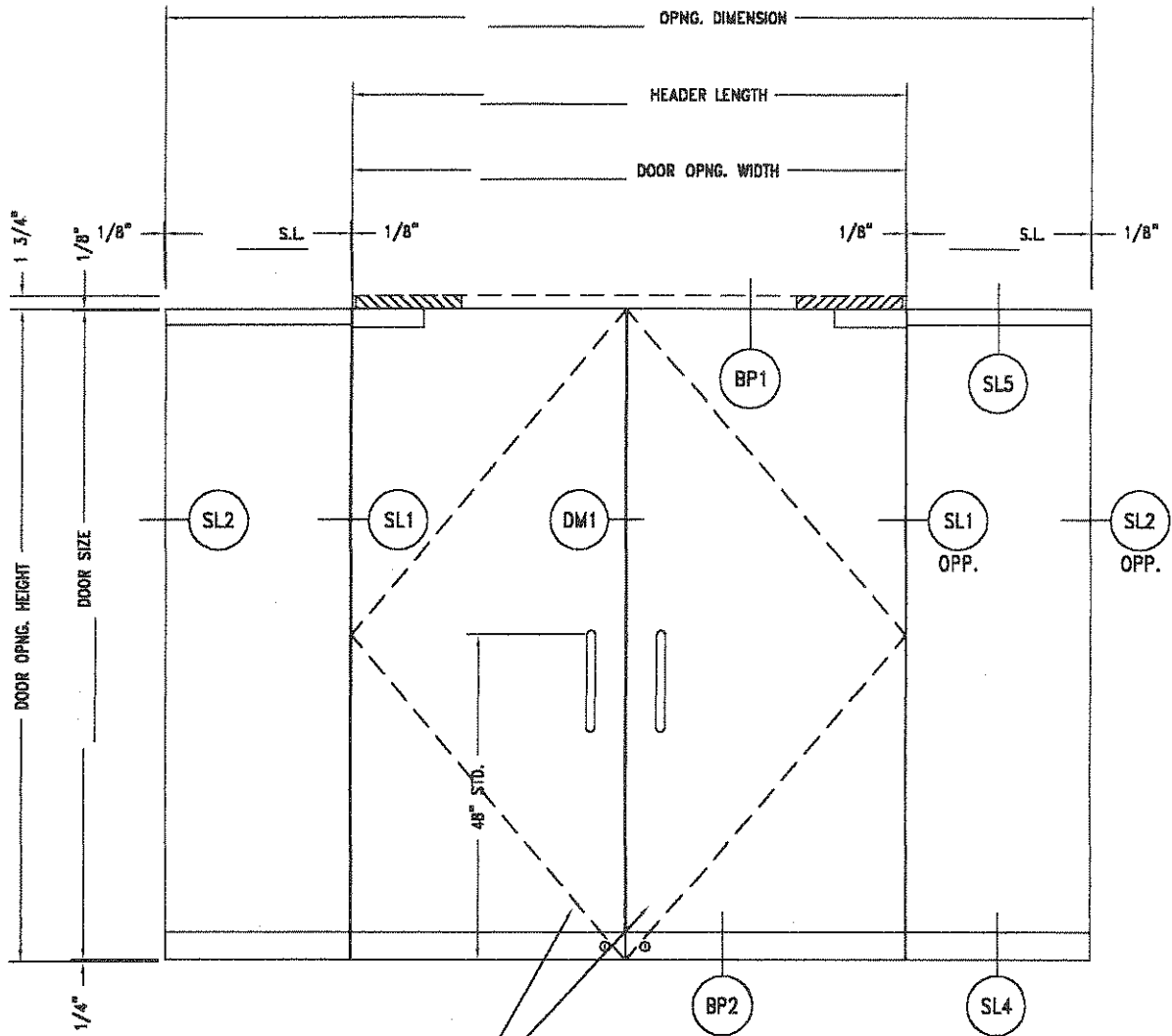
FULL BOTTOM RAIL-TOP PATCH FITTINGS

TYPICAL DOOR CONFIGURATIONS

DWG. NO.

PAIR / NO SIDELITES

BPE-1



1/2" CLEAR TEMPERED GLASS WITH
POLISHED TOP AND VERTICAL EDGES

ELEVATION VIEW OF TYPE BP DOORS
WITH OVERHEAD CONCEALED CLOSER

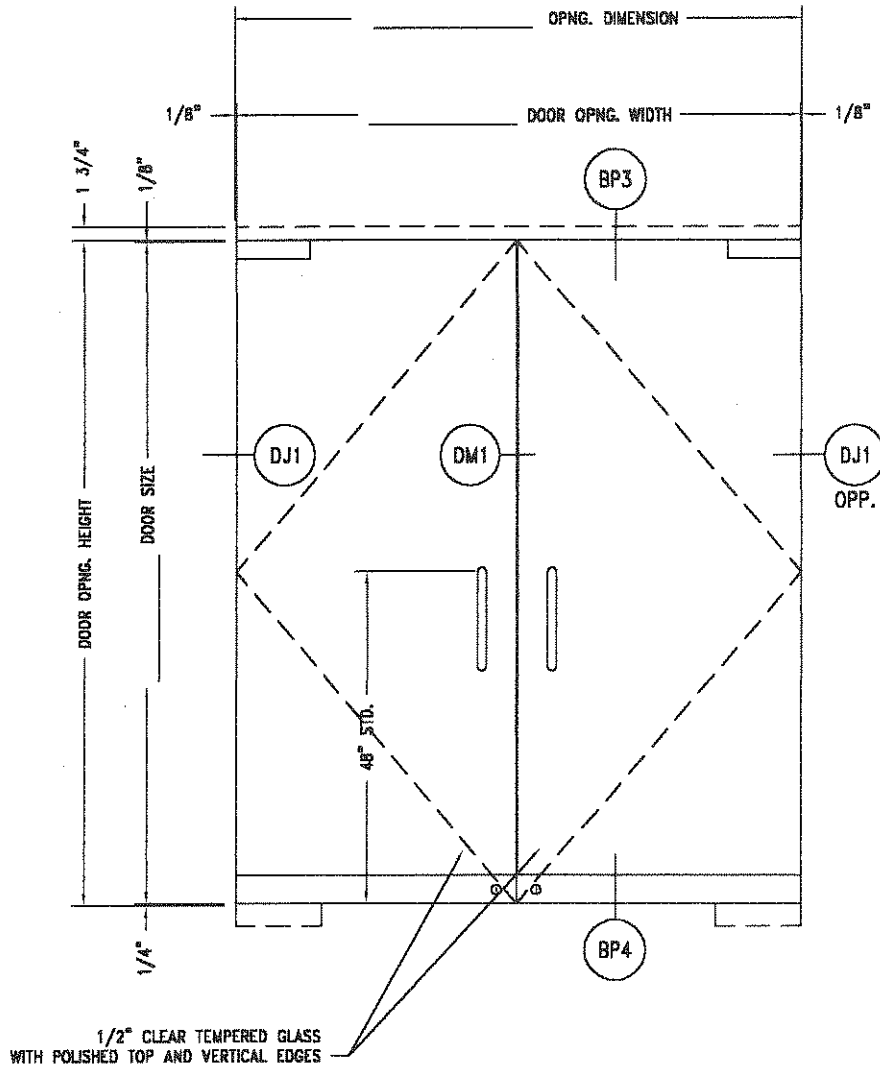
FULL BOTTOM RAIL- TOP PATCH

TYPICAL DOOR CONFIGURATIONS

DWG. NO.

PAIR WITH SIDELITES

BPE-2



ELEVATION VIEW OF TYPE BP DOORS
WITH FLOOR CLOSER

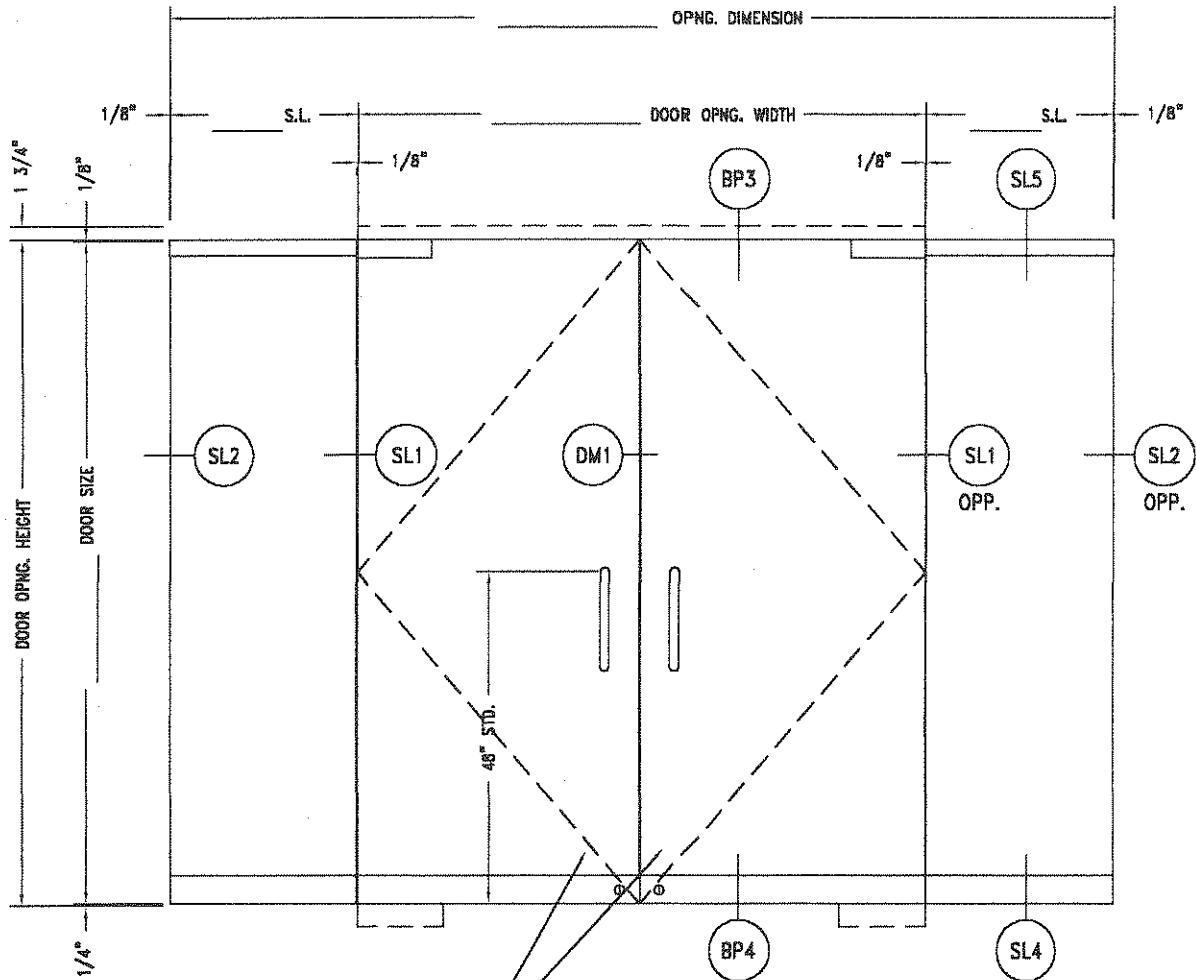
FULL BOTTOM RAIL-TOP PATCH ENTRANCES

TYPICAL DOOR CONFIGURATIONS

PAIR / NO SIDELITES

DWG. NO.

BPE-3



1/2" CLEAR TEMPERED GLASS
WITH POLISHED VERTICAL AND TOP EDGES

ELEVATION VIEW OF TYPE BP DOORS
WITH FLOOR CLOSER

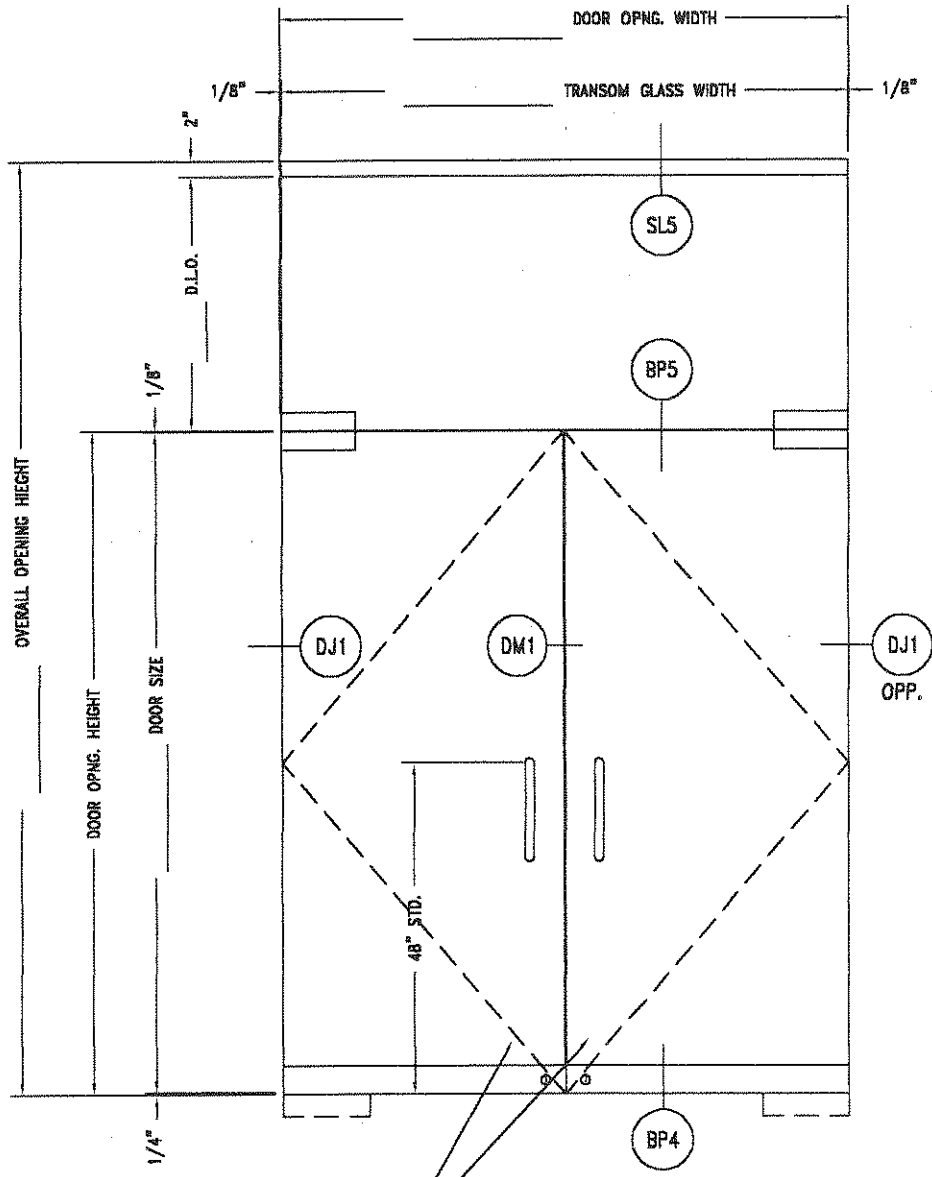
FULL BOTTOM RAIL-TOP PATCH

TYPICAL DOOR CONFIGURATIONS

DWG. NO.

PAIR WITH SIDELITES

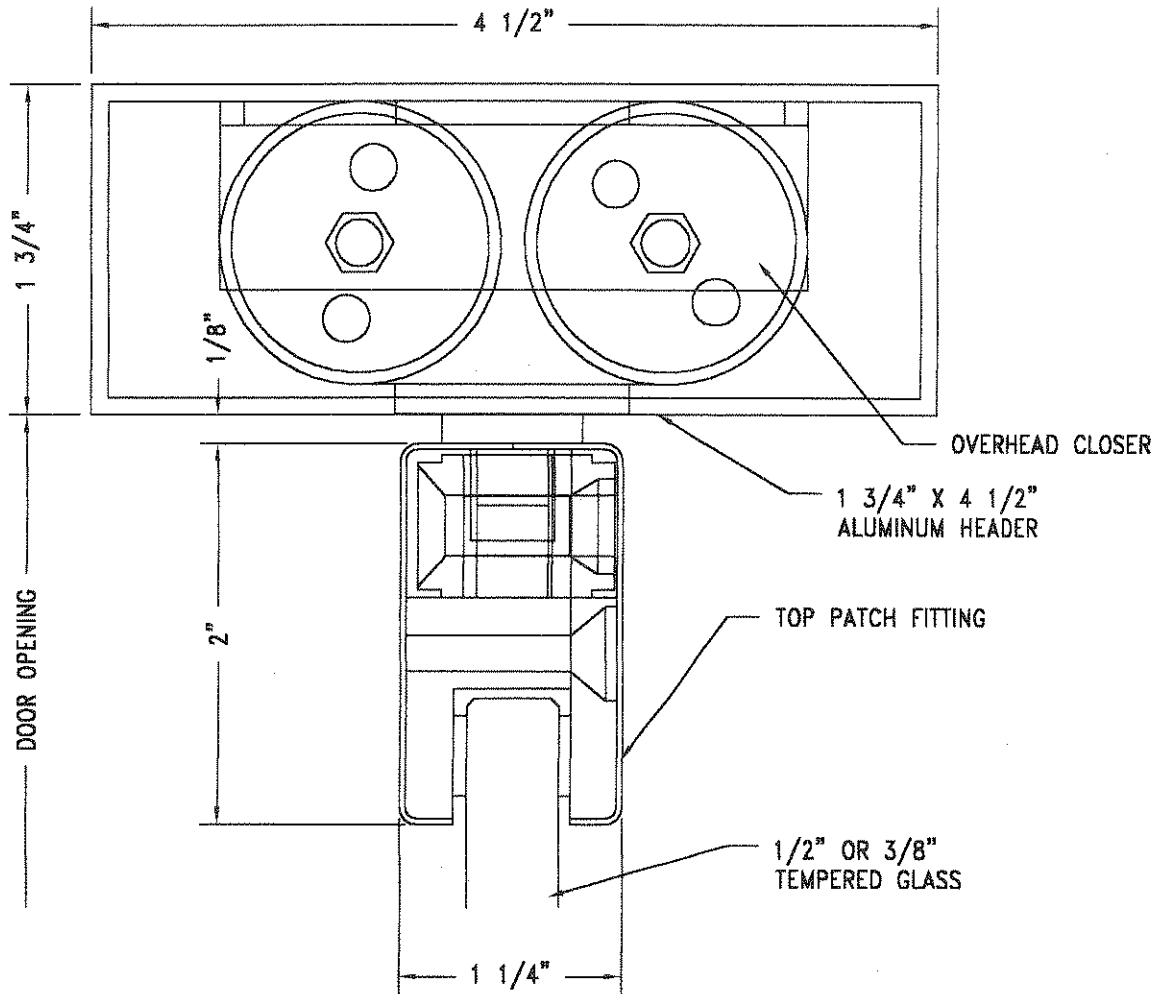
BPE-4



1/2" CLEAR TEMPERED GLASS
WITH POLISHED TOP & VERTICAL EDGES

ELEVATION VIEW OF TYPE BP DOORS W/TRANSOM
WITH FLOOR CLOSER

FULL BOTTOM RAIL-TOP PATCH	TYPICAL DOOR CONFIGURATIONS	DWG. NO.
	PAIR WITH TRANSOM	BPE-5

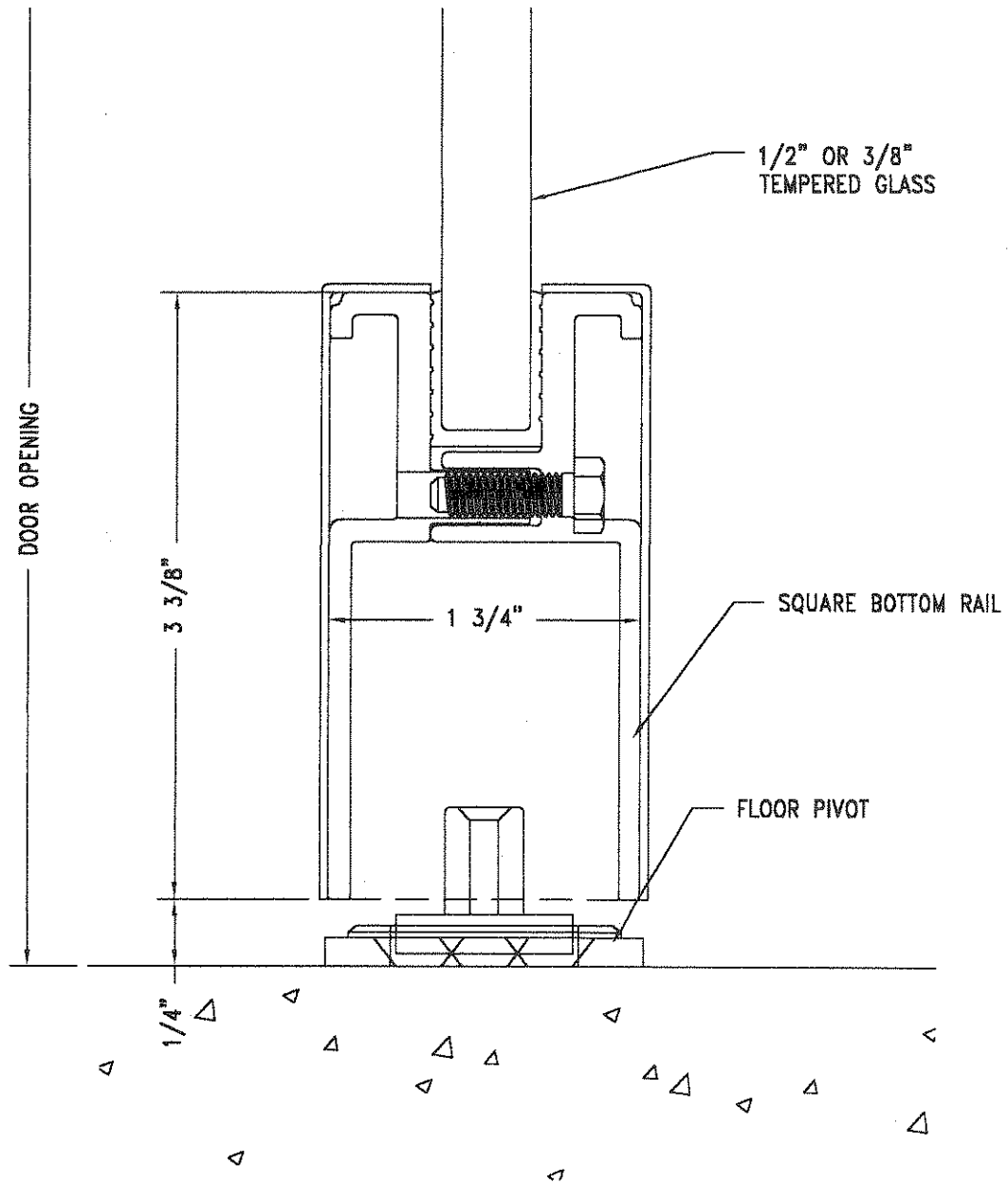


TYPICAL ENTRANCE DETAILS

TYPE 'BP' HEADER

DWG. NO.

BP1

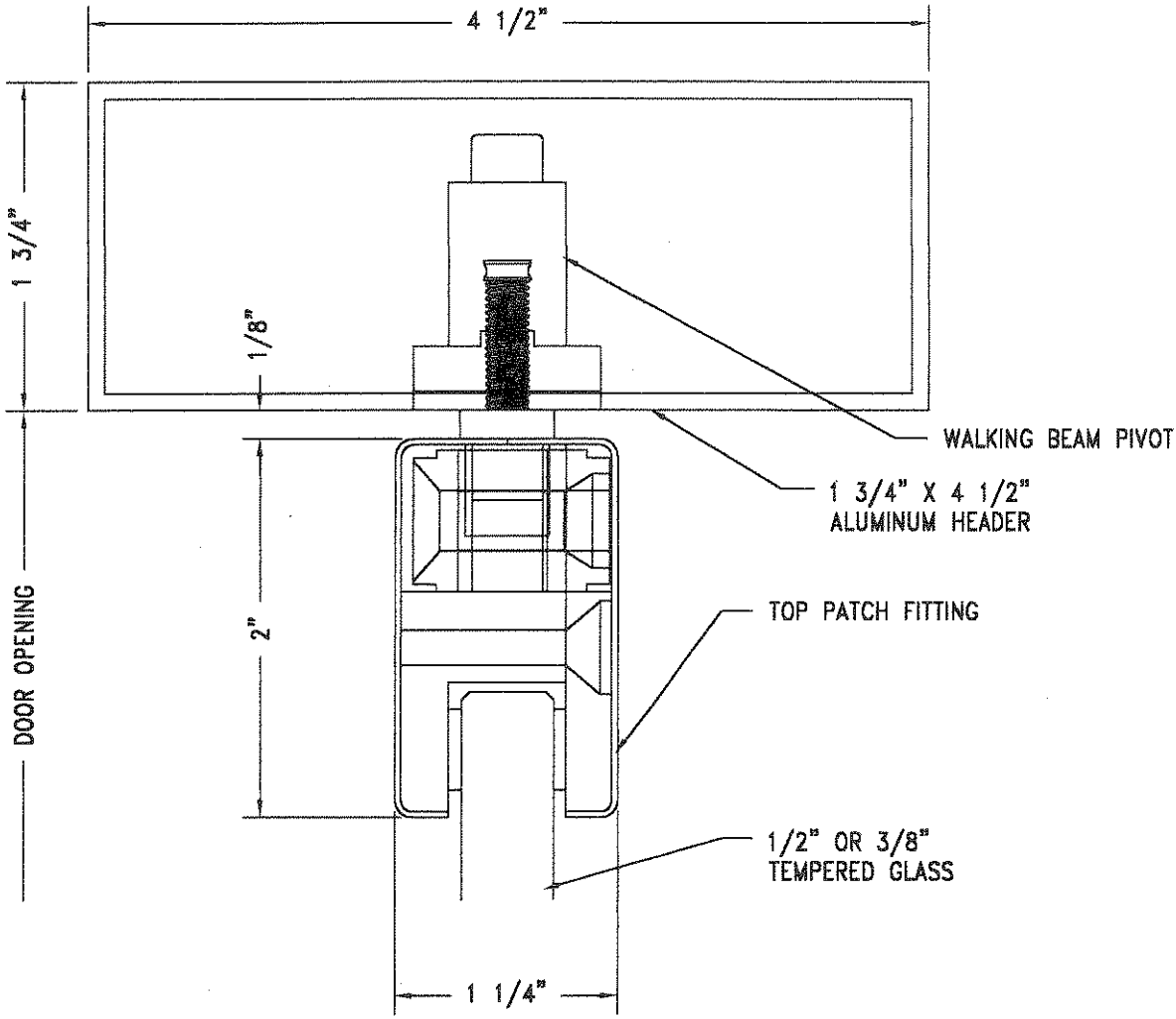


TYPICAL ENTRANCE DETAILS

TYPE 'BP' BOTTOM RAIL

DWG. NO.

BP2

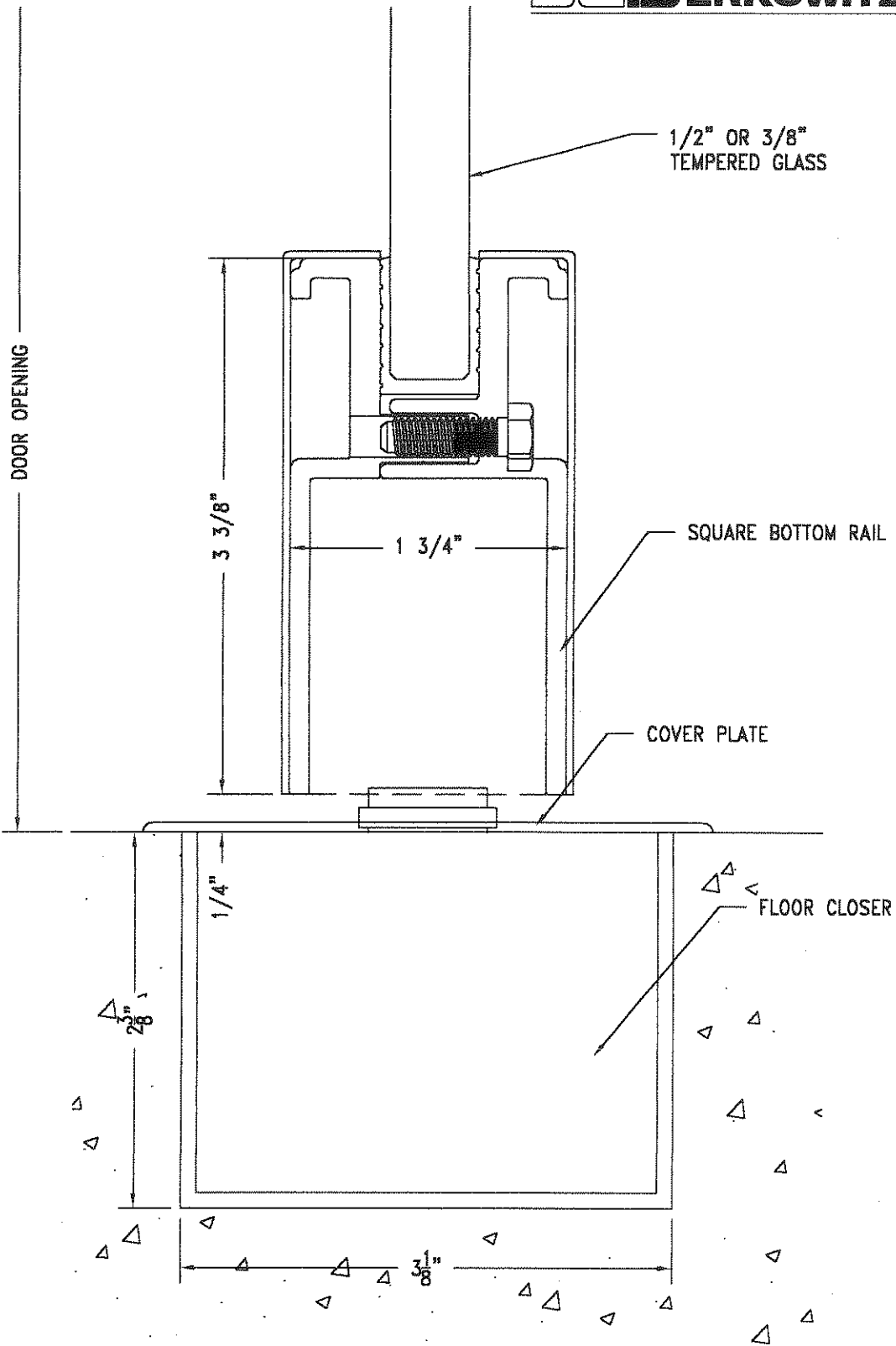


TYPICAL ENTRANCE DETAILS

TYPE 'BP' TOP PATCH

DWG. NO.

BP3



TYPICAL ENTRANCE DETAILS

TYPE 'BP' BOTTOM RAIL

DWG. NO.

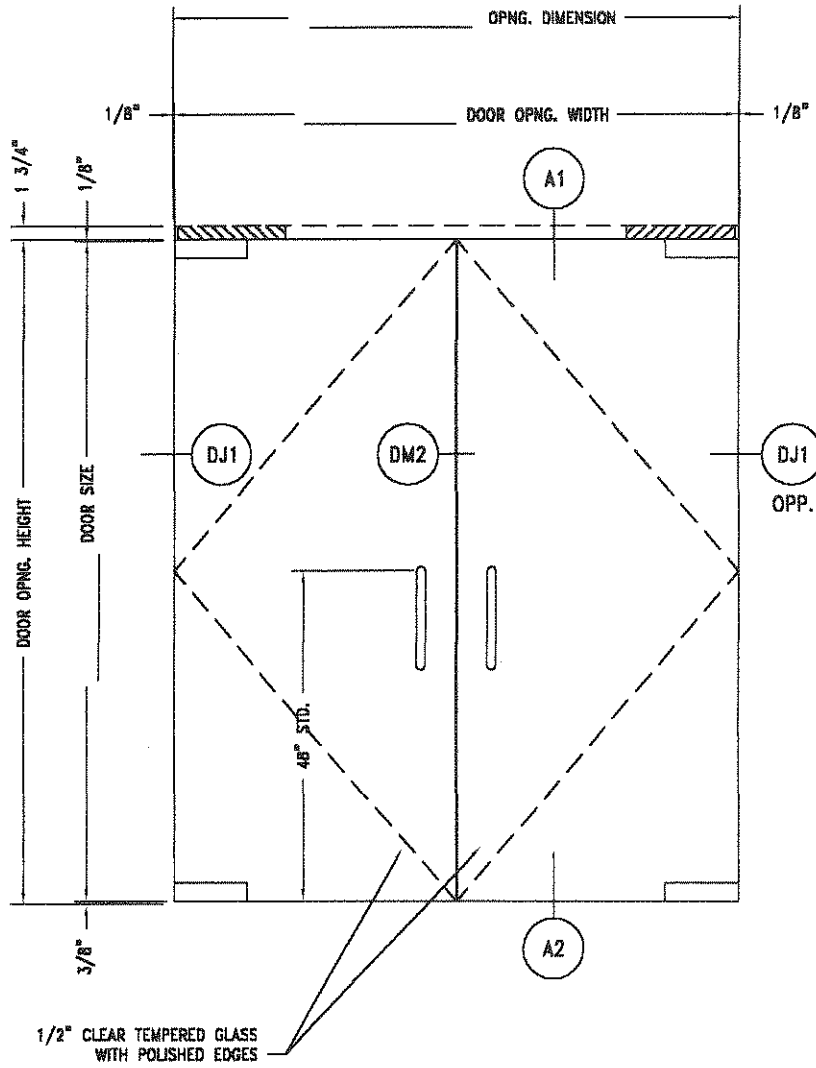
BP4

TYPICAL ENTRANCE DETAILS

DWG. NO.

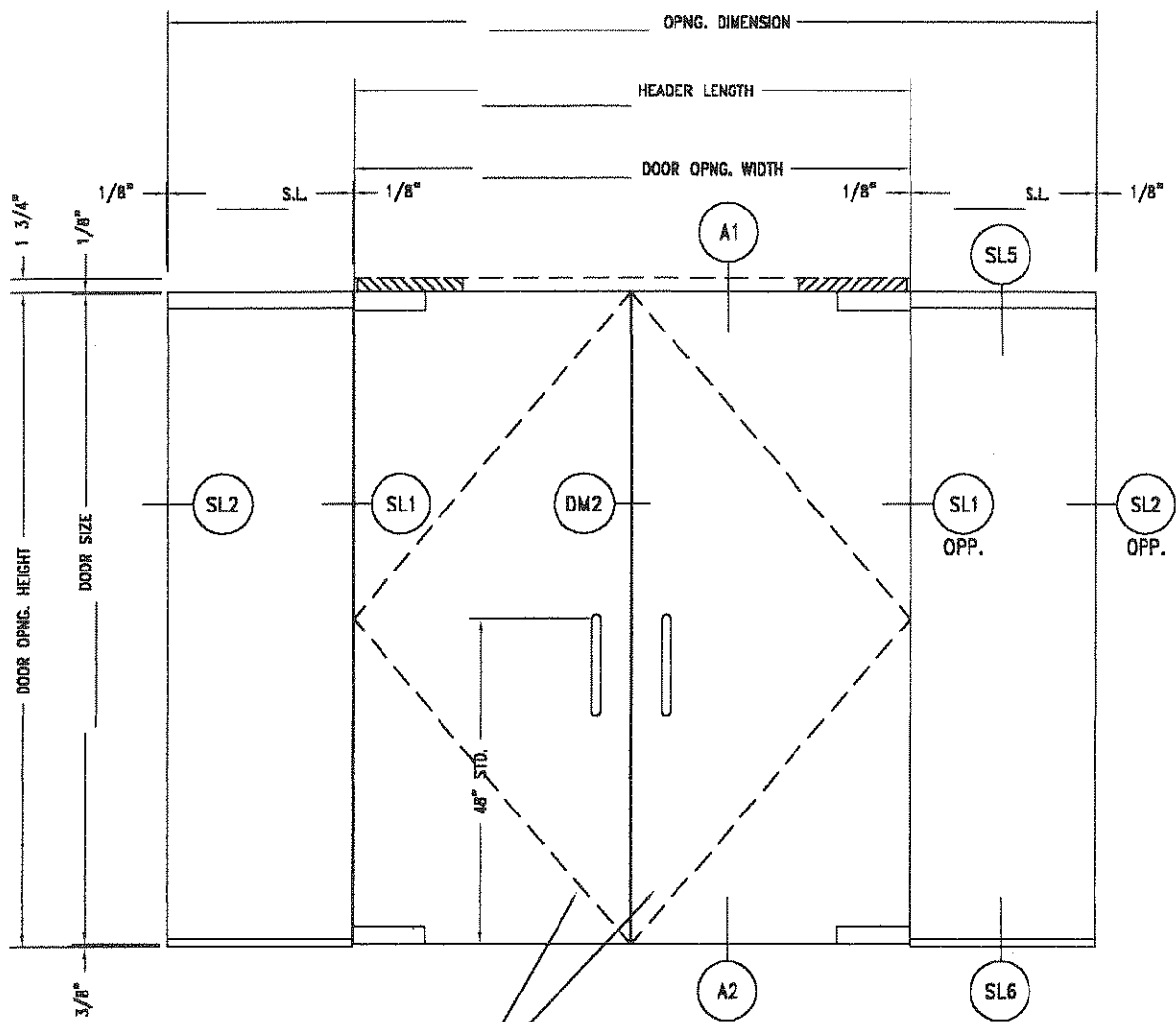
TYPE 'BP' TOP PATCH

BP5



ELEVATION VIEW OF TYPE A DOORS
WITH OVERHEAD CONCEALED CLOSER

TOP AND BOTTOM PATCH FITTINGS	TYPICAL DOOR CONFIGURATIONS	DWG. NO.
PAIR / NO SIDELITES		AE-1



1/2" CLEAR TEMPERED GLASS
WITH POLISHED EDGES

ELEVATION VIEW OF TYPE A DOORS
WITH OVERHEAD CONCEALED CLOSER

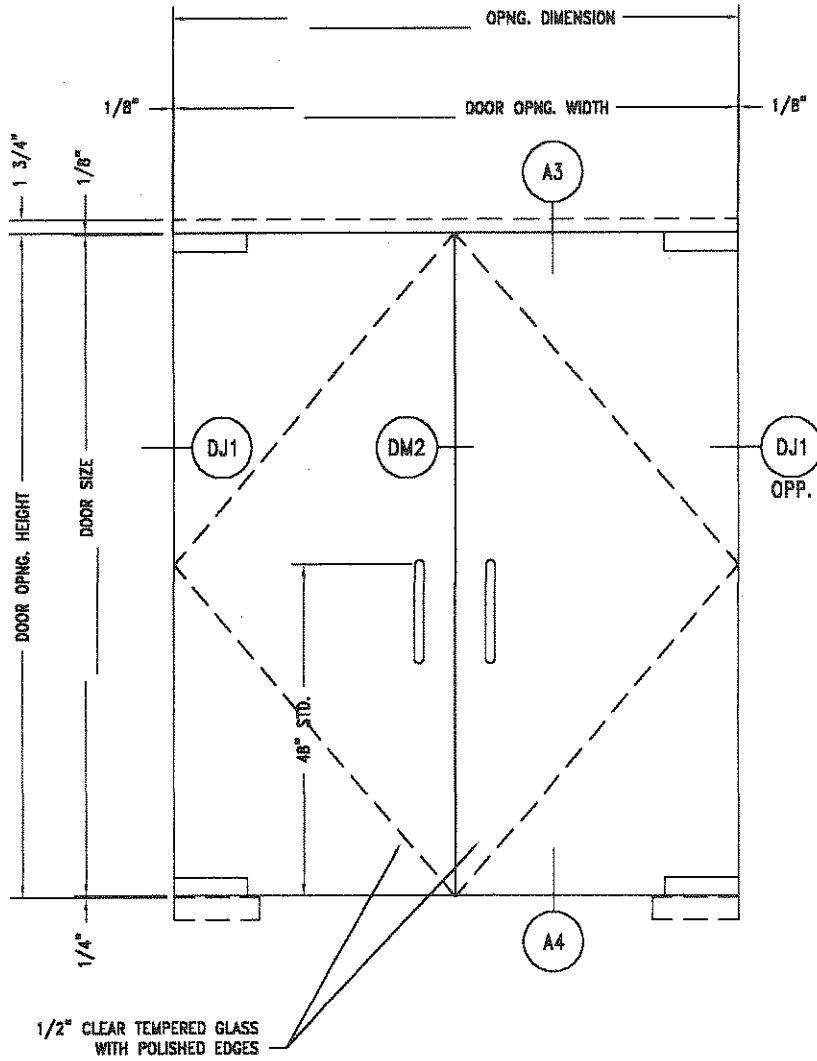
TOP AND BOTTOM PATCH FITTINGS

TYPICAL DOOR CONFIGURATIONS

DWG. NO.

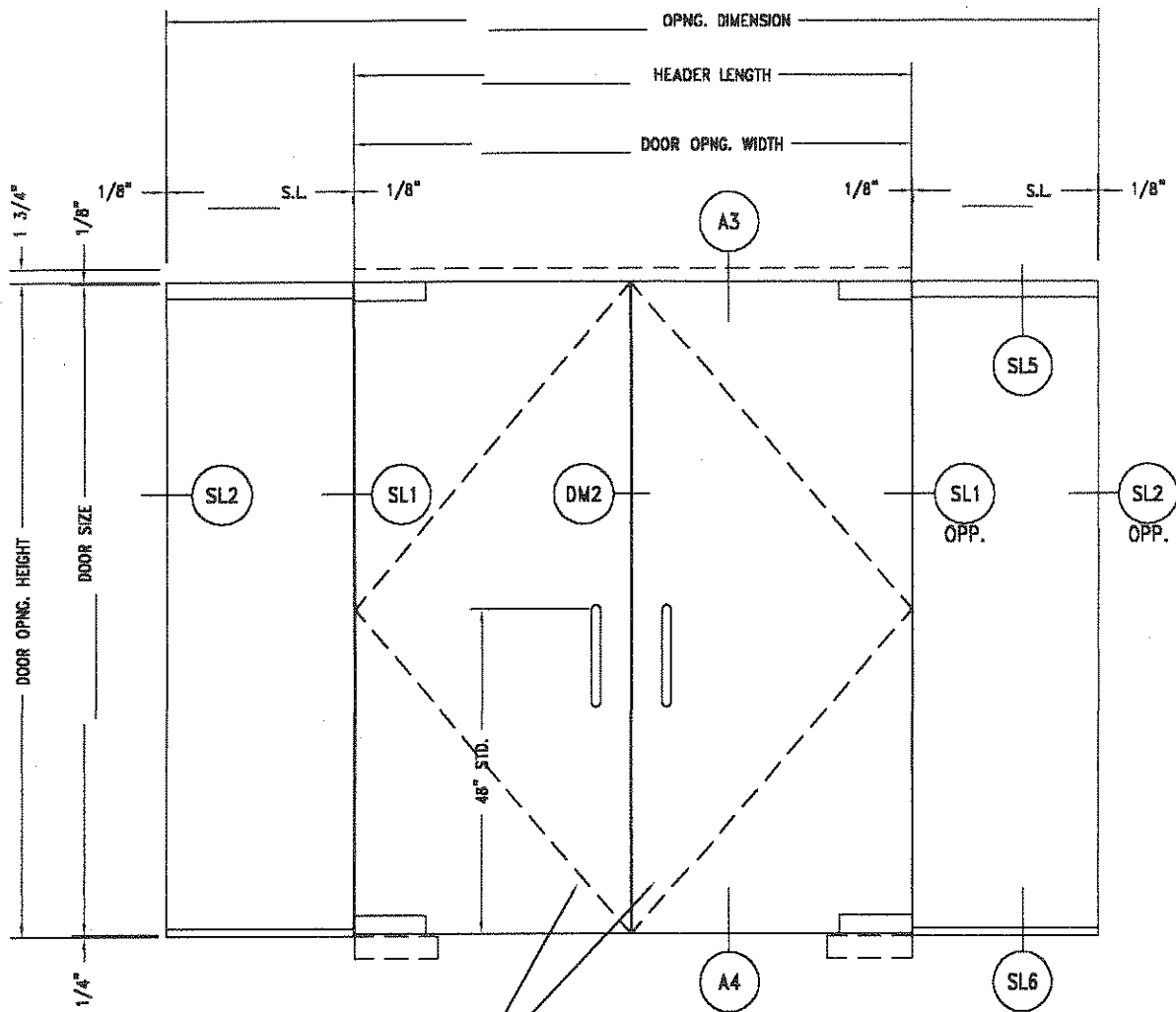
PAIR WITH SIDELITES

AE-2



ELEVATION VIEW OF TYPE A DOORS
WITH FLOOR CLOSER

TOP AND BOTTOM PATCH FITTINGS	TYPICAL DOOR CONFIGURATIONS	DWG. NO.
PAIR / NO SIDELITES		AE-3



1/2" CLEAR TEMPERED GLASS
WITH POLISHED EDGES

ELEVATION VIEW OF TYPE A DOORS
WITH FLOOR CLOSER

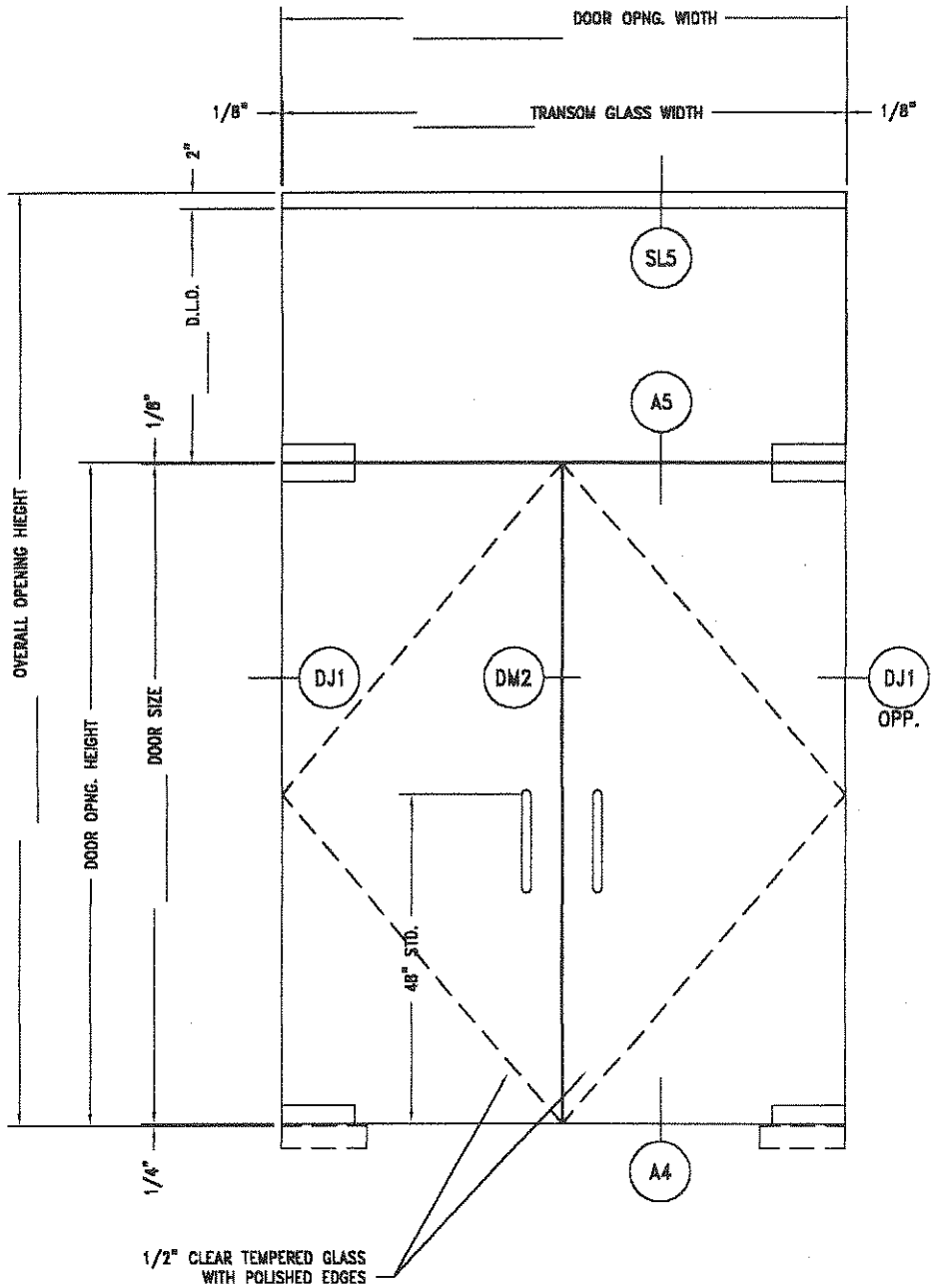
TOP AND BOTTOM PATCH FITTINGS

TYPICAL DOOR CONFIGURATIONS

PAIR WITH SIDELITES

DWG. NO.

AE-4



ELEVATION VIEW OF TYPE A DOORS W/TRANSOM
WITH FLOOR CLOSER

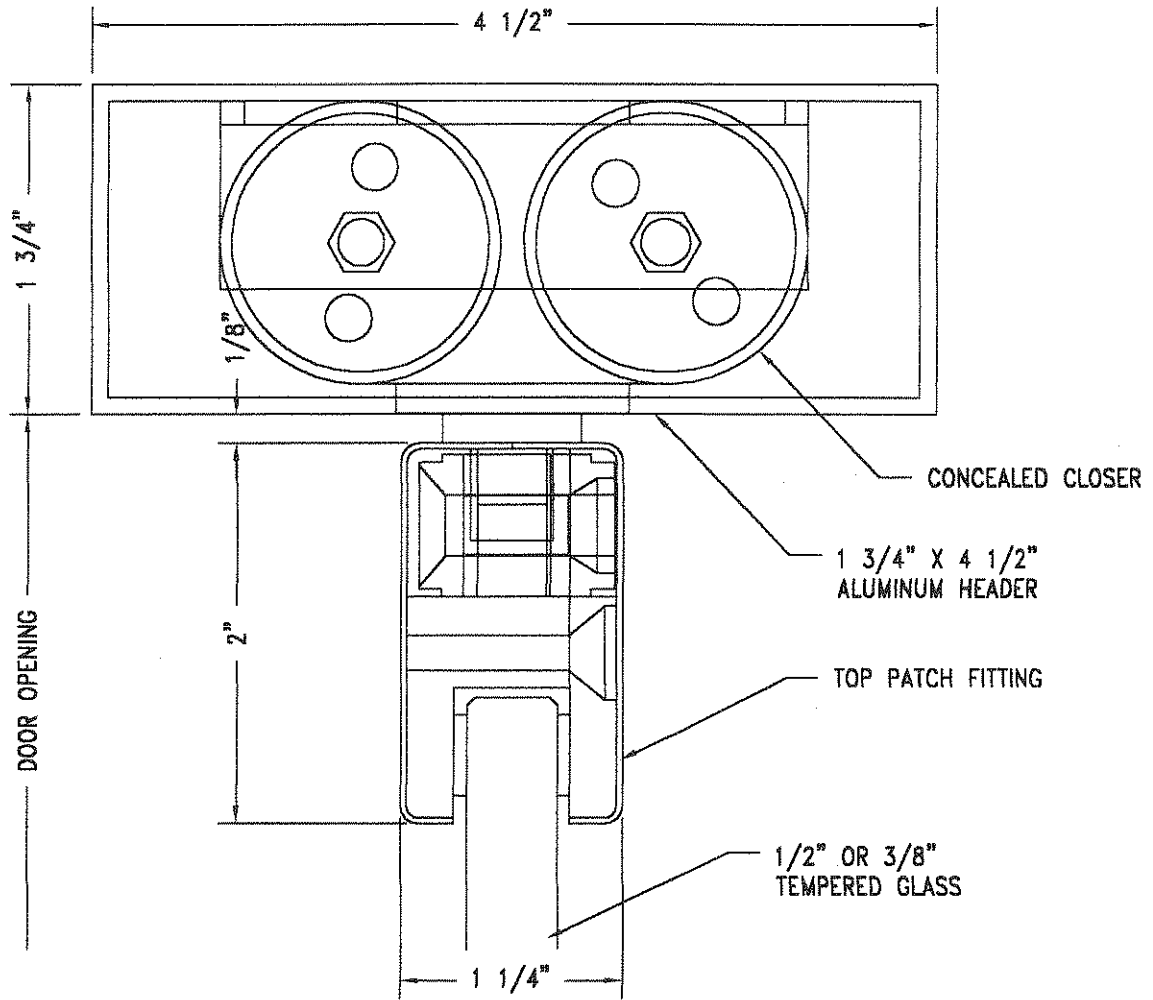
TOP AND BOTTOM PATCH FITTINGS

TYPICAL DOOR CONFIGURATIONS

DWG. NO.

PAIR WITH TRANSOM

AE-5

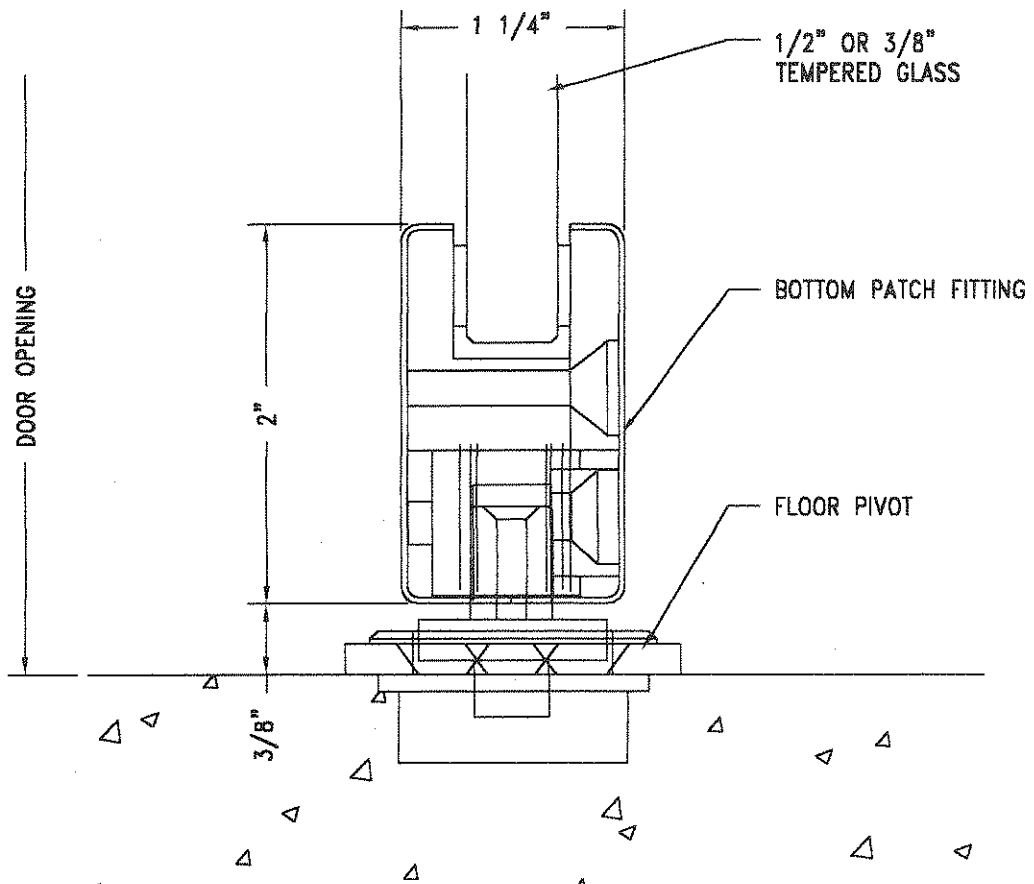


TYPICAL ENTRANCE DETAILS

TYPE 'A' HEADER

DWG. NO.

A1

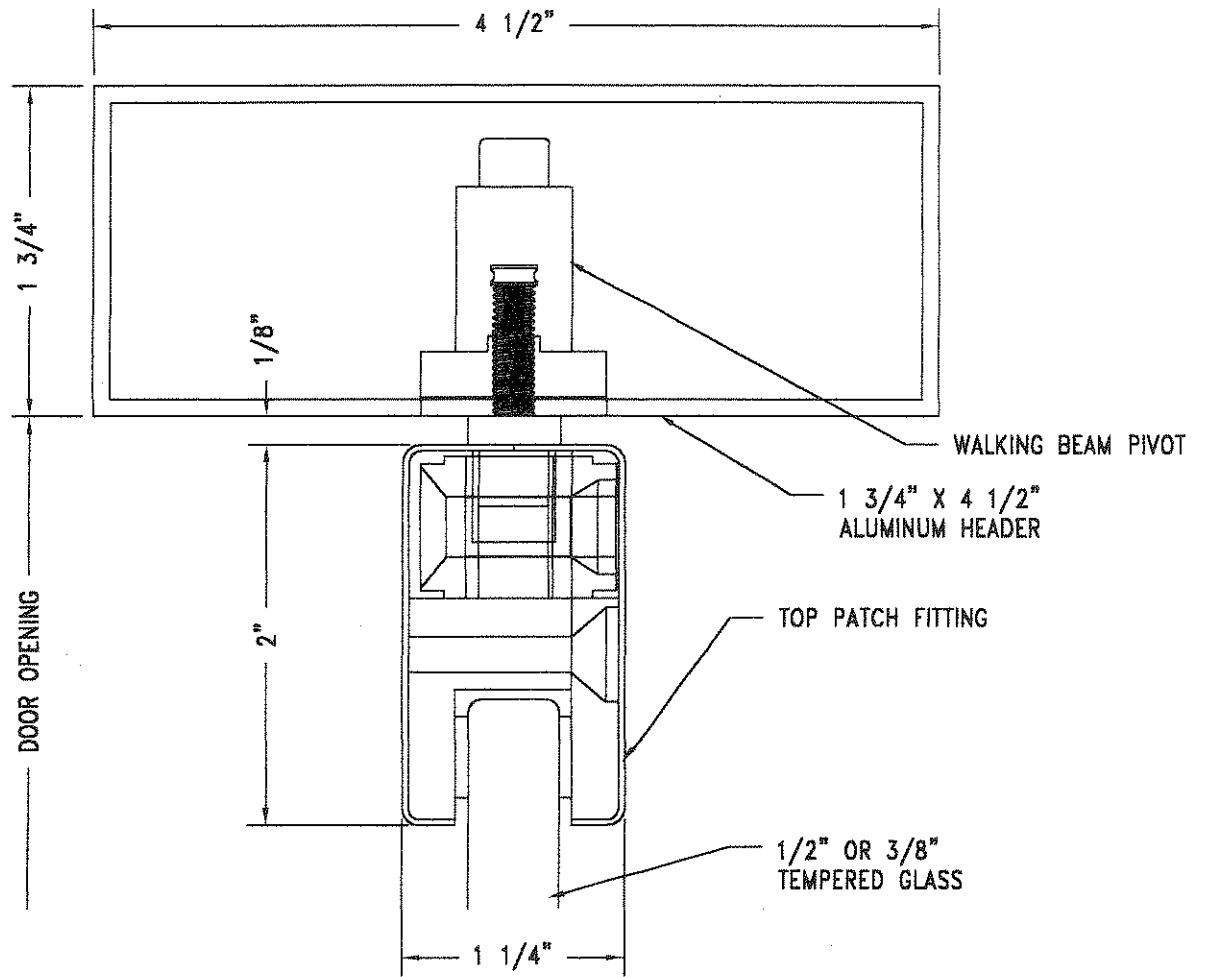


TYPICAL ENTRANCE DETAILS

TYPE 'A' BOTTOM PATCH

DWG. NO.

A2

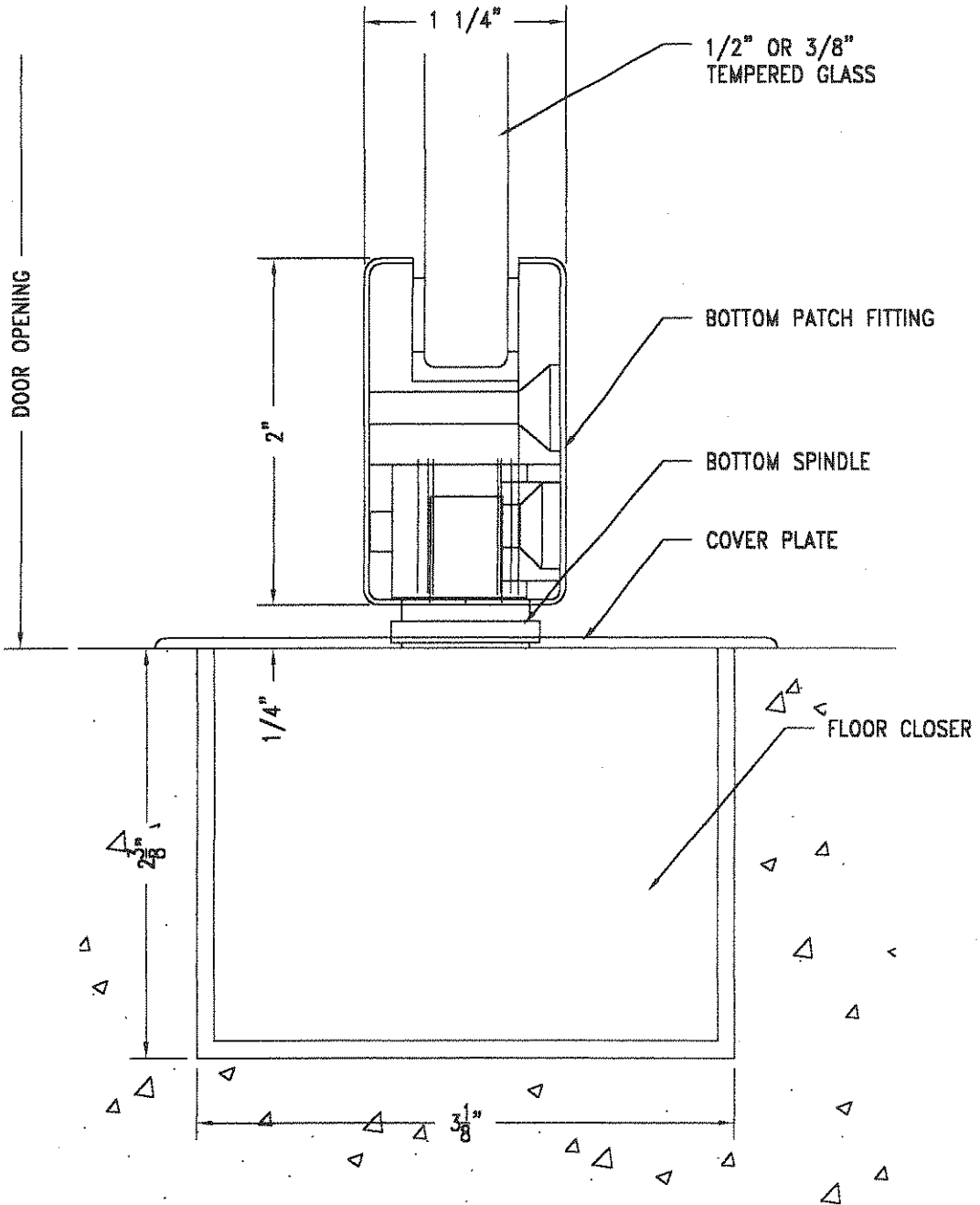


TYPICAL ENTRANCE DETAILS

TYPE 'A' HEADER

DWG. NO.

A3

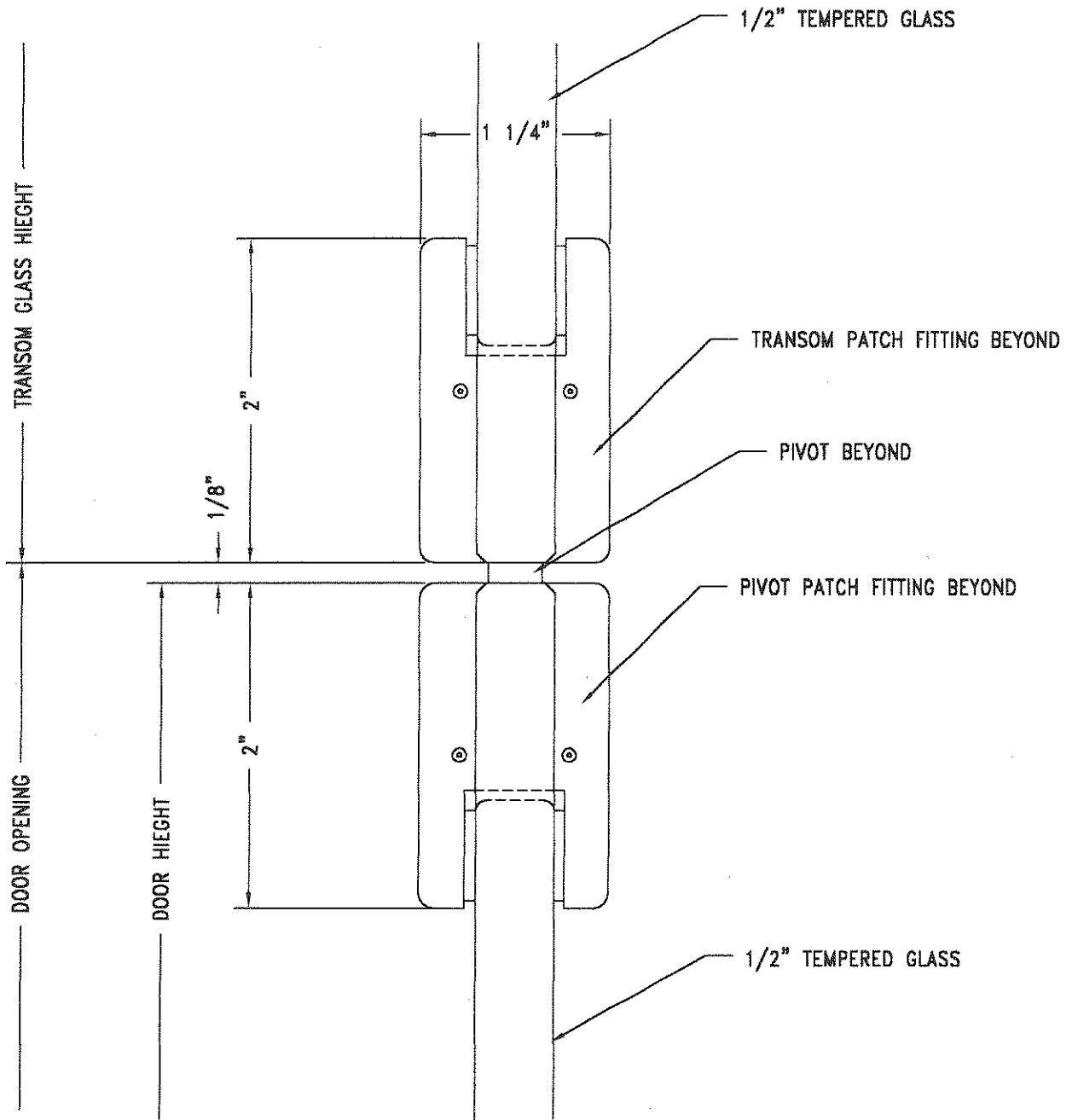


TYPICAL ENTRANCE DETAILS

TYPE 'A' BOTTOM PATCH

DWG. NO.

A4

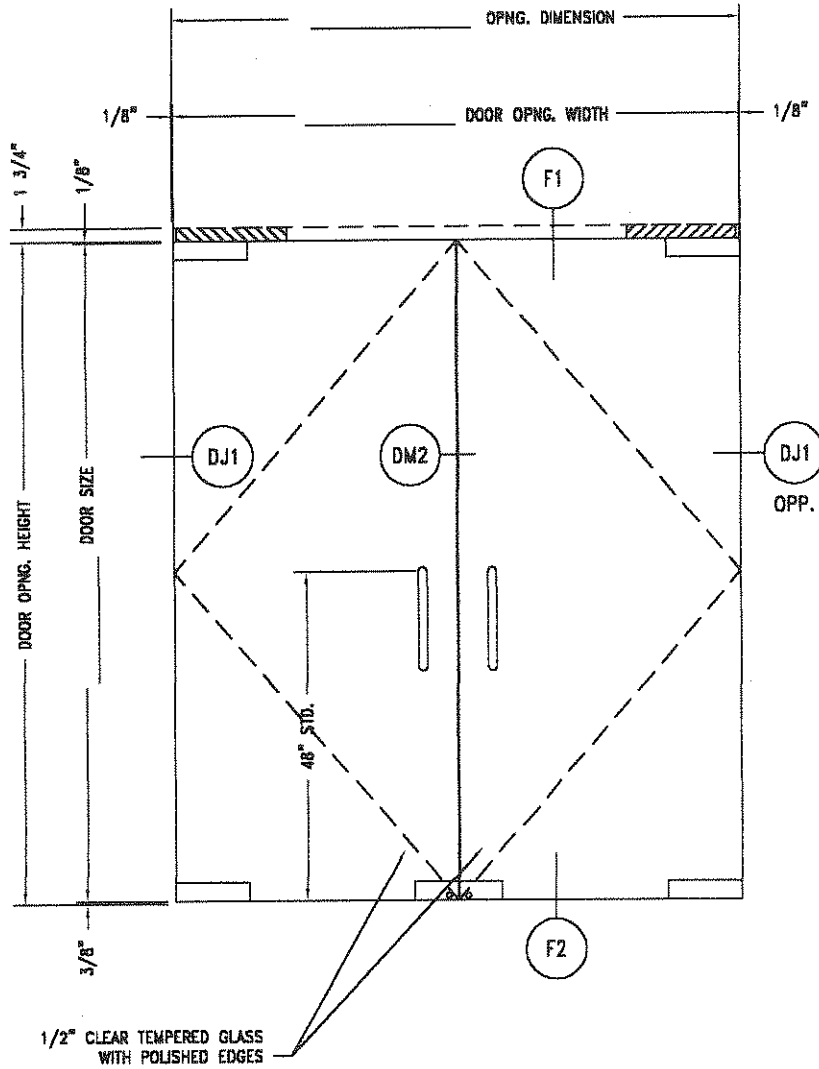


TYPICAL ENTRANCE DETAILS

TYPE 'A' TOP PATCH

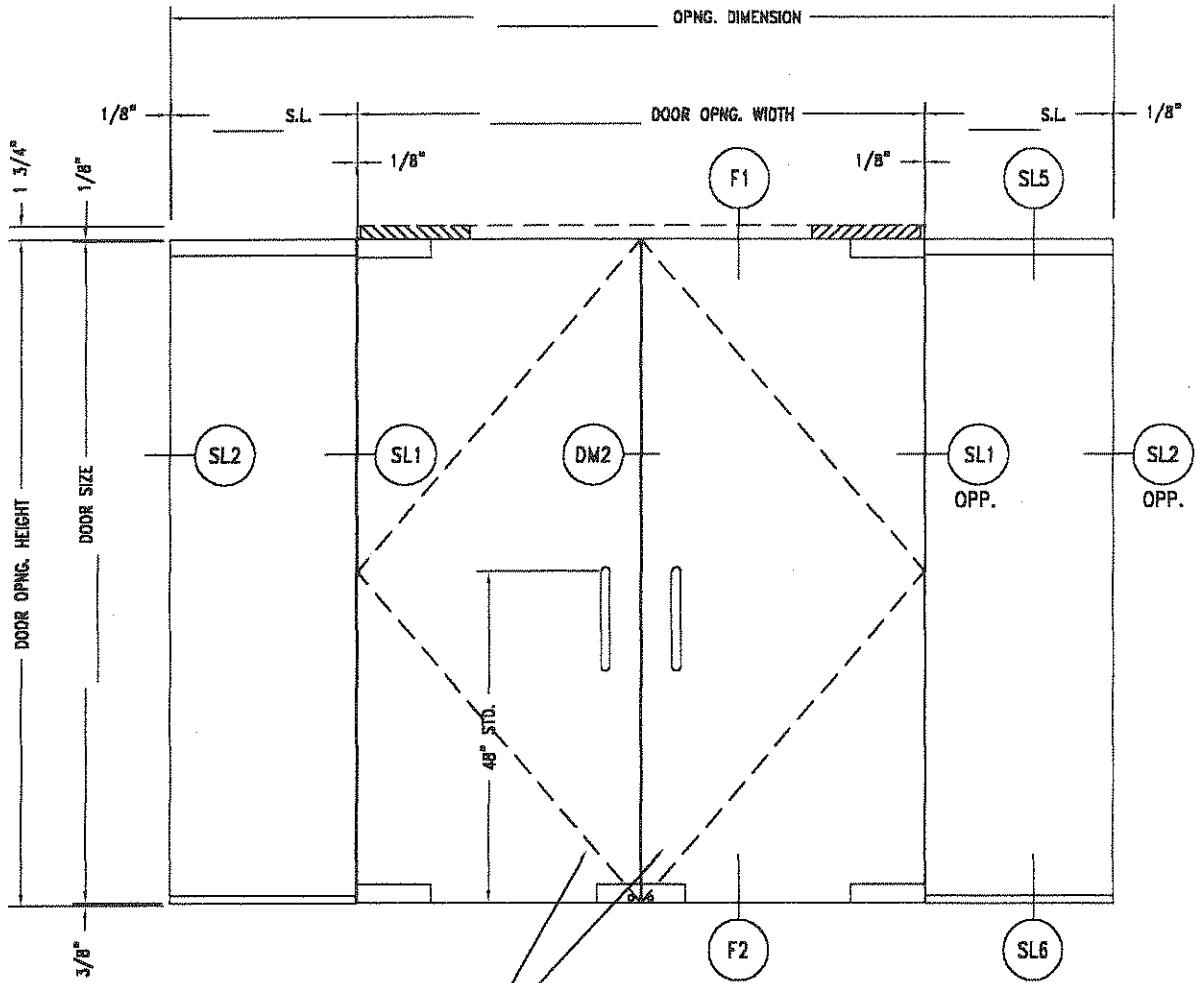
DWG. NO.

A5



ELEVATION VIEW OF TYPE F DOORS
WITH OVERHEAD CONCEALED CLOSER

TOP & BOTTOM PIVOT PATCH W/ LOCK PATCH	TYPICAL DOOR CONFIGURATIONS	DWG. NO.
PAIR / NO SIDELITES		FE-1



1/2" CLEAR TEMPERED GLASS
WITH POLISHED EDGES

ELEVATION VIEW OF TYPE F DOORS
WITH OVERHEAD CONCEALED CLOSER

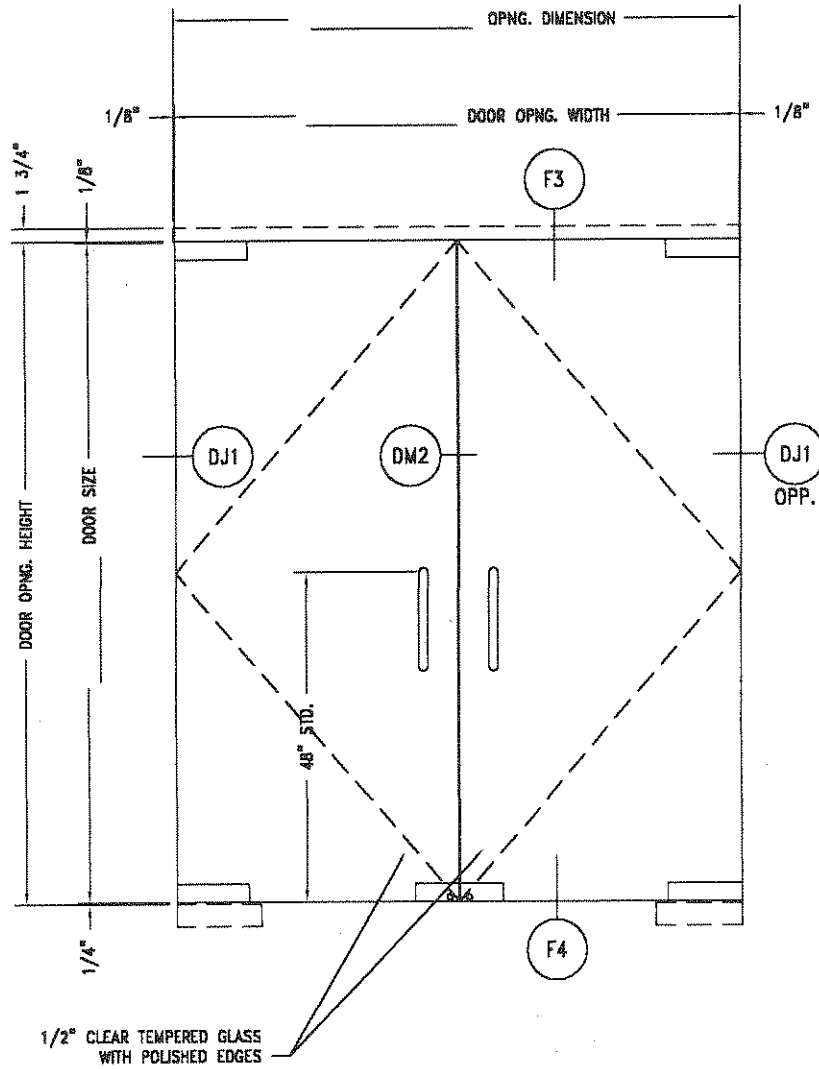
TOP & BOTTOM PIVOT PATCH W/ LOCK PATCH

TYPICAL DOOR CONFIGURATIONS

DWG. NO.

PAIR WITH SIDELITES

FE-2



ELEVATION VIEW OF TYPE F DOORS
WITH FLOOR CLOSER

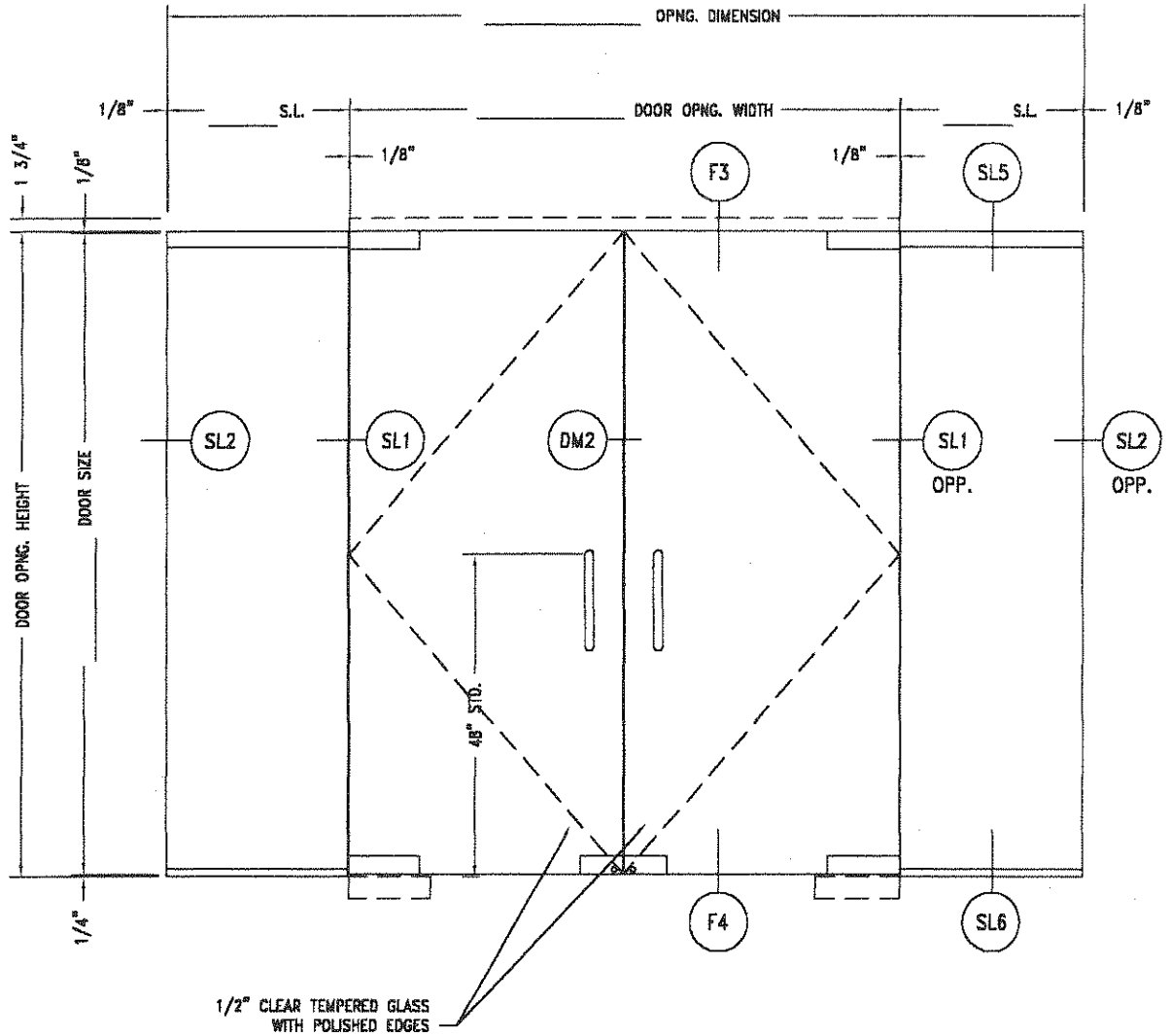
TOP & BOTTOM PIVOT PATCH W/ LOCK PATCH

TYPICAL DOOR CONFIGURATIONS

PAIR / NO SIDELITES

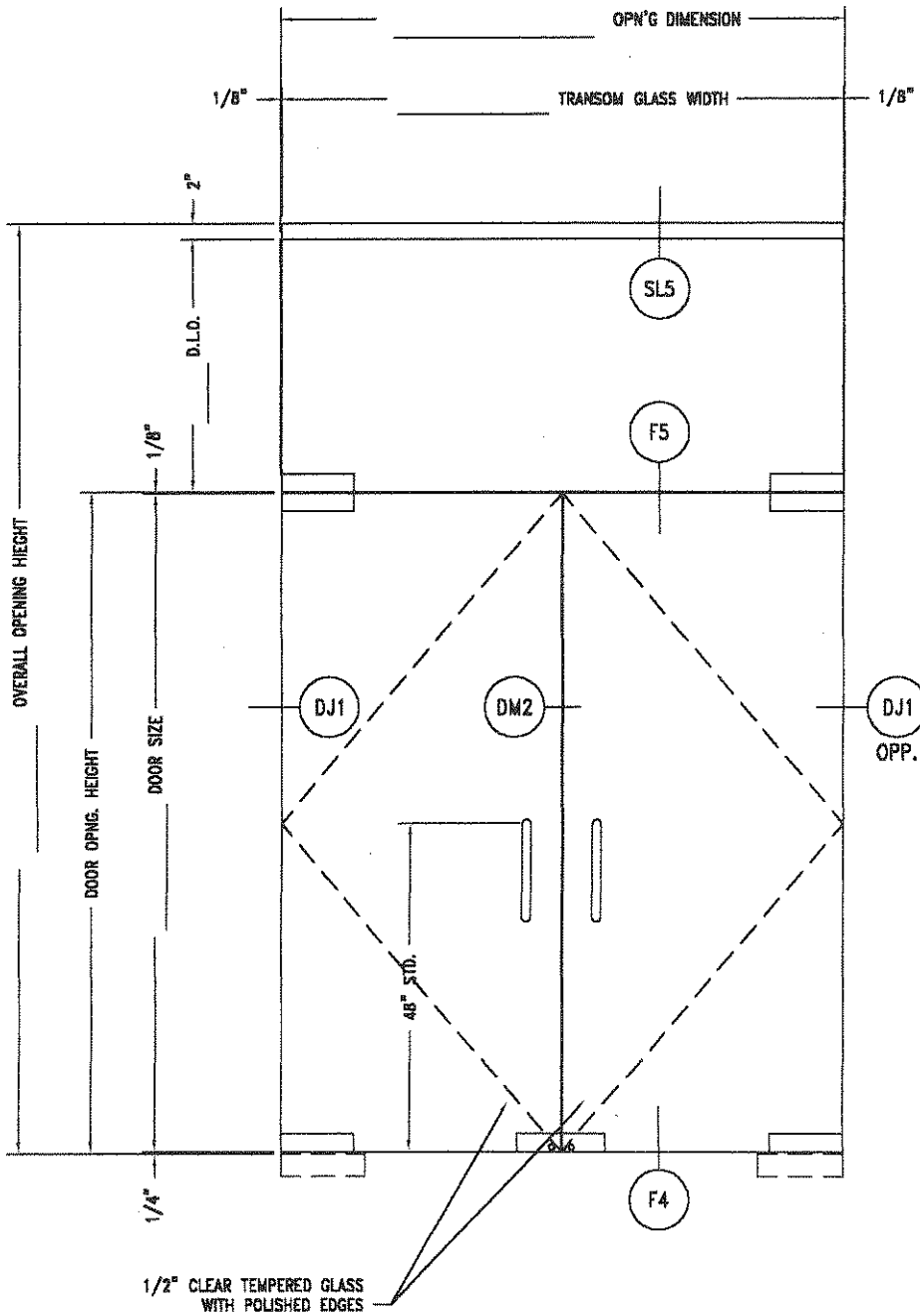
DWG. NO.

FE-3



ELEVATION VIEW OF TYPE F DOORS
WITH FLOOR CLOSER

TOP & BOTTOM PIVOT PATCH W/ LOCK PATCH	TYPICAL DOOR CONFIGURATIONS	DWG. NO.
PAIR WITH SIDELITES		FE-4



**ELEVATION VIEW OF TYPE F DOORS W/TRANSOM
WITH FLOOR CLOSER**

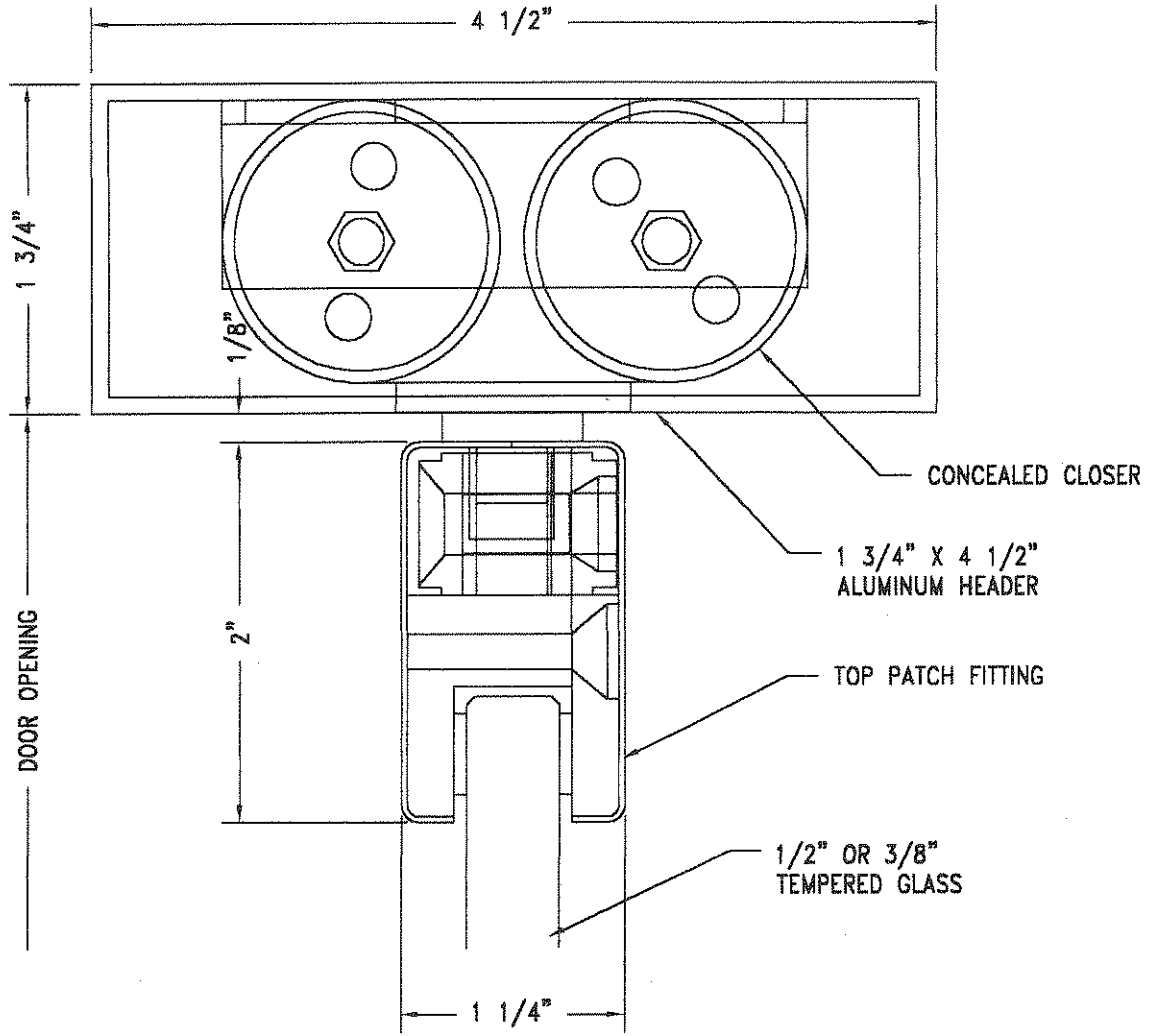
TOP & BOTTOM PIVOT PATCH W/ LOCK PATCH

TYPICAL DOOR CONFIGURATIONS

DWG. NO.

PAIR WITH TRANSOM

FE-5

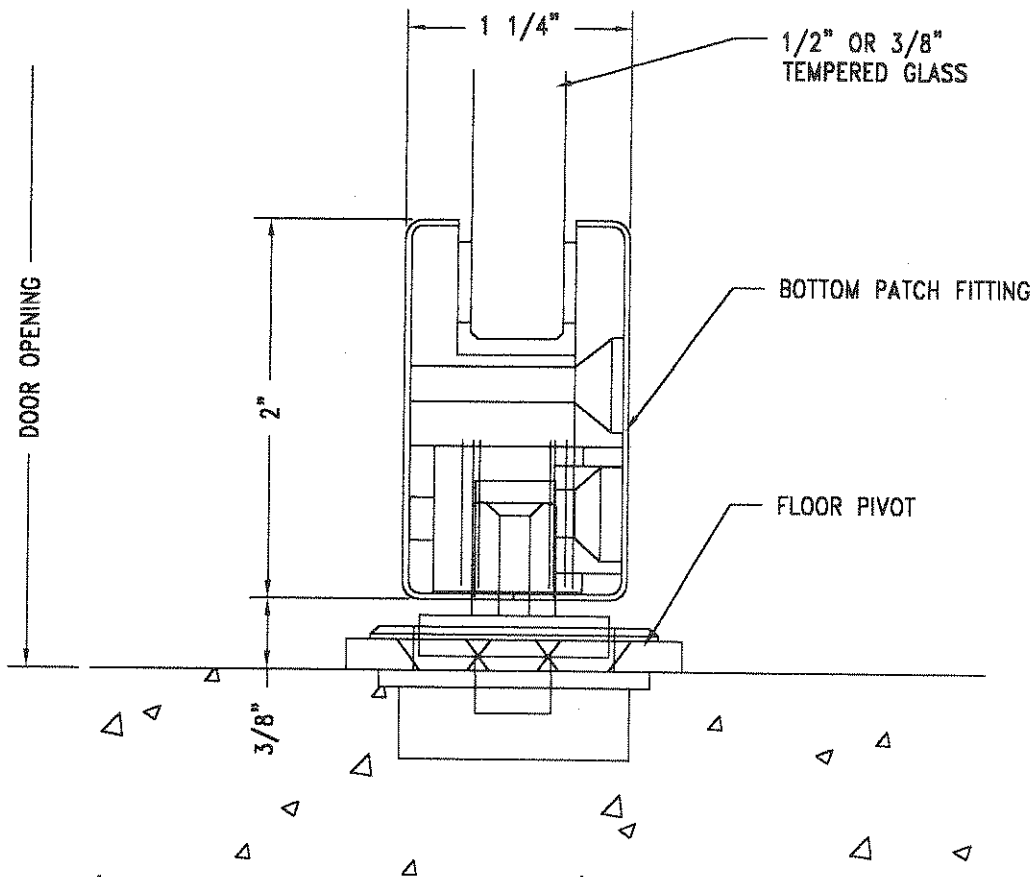


TYPICAL ENTRANCE DETAILS

TYPE 'F' HEADER

DWG. NO.

F1

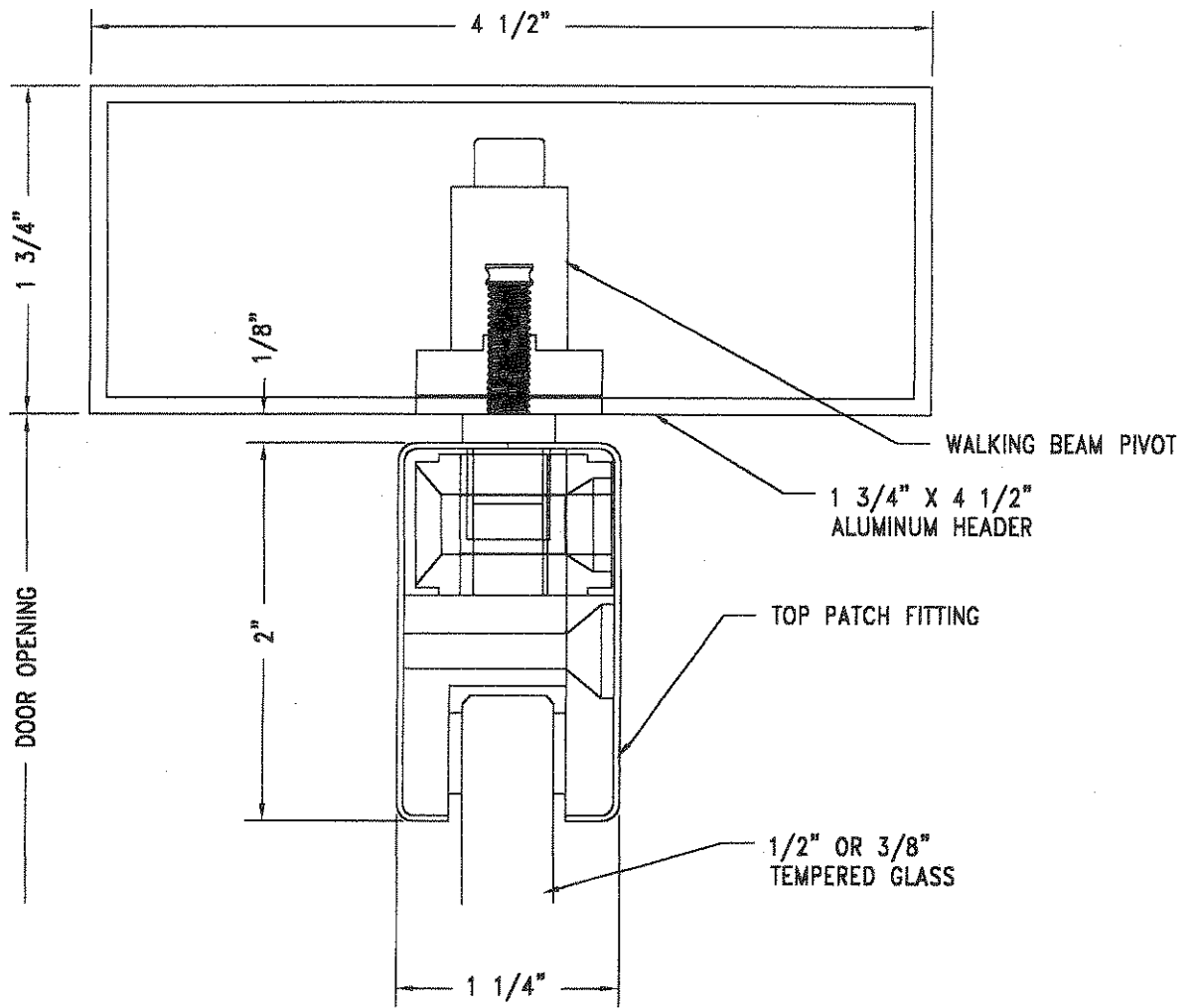


TYPICAL ENTRANCE DETAILS

DWG. NO.

TYPE 'F' BOTTOM PATCH

F2

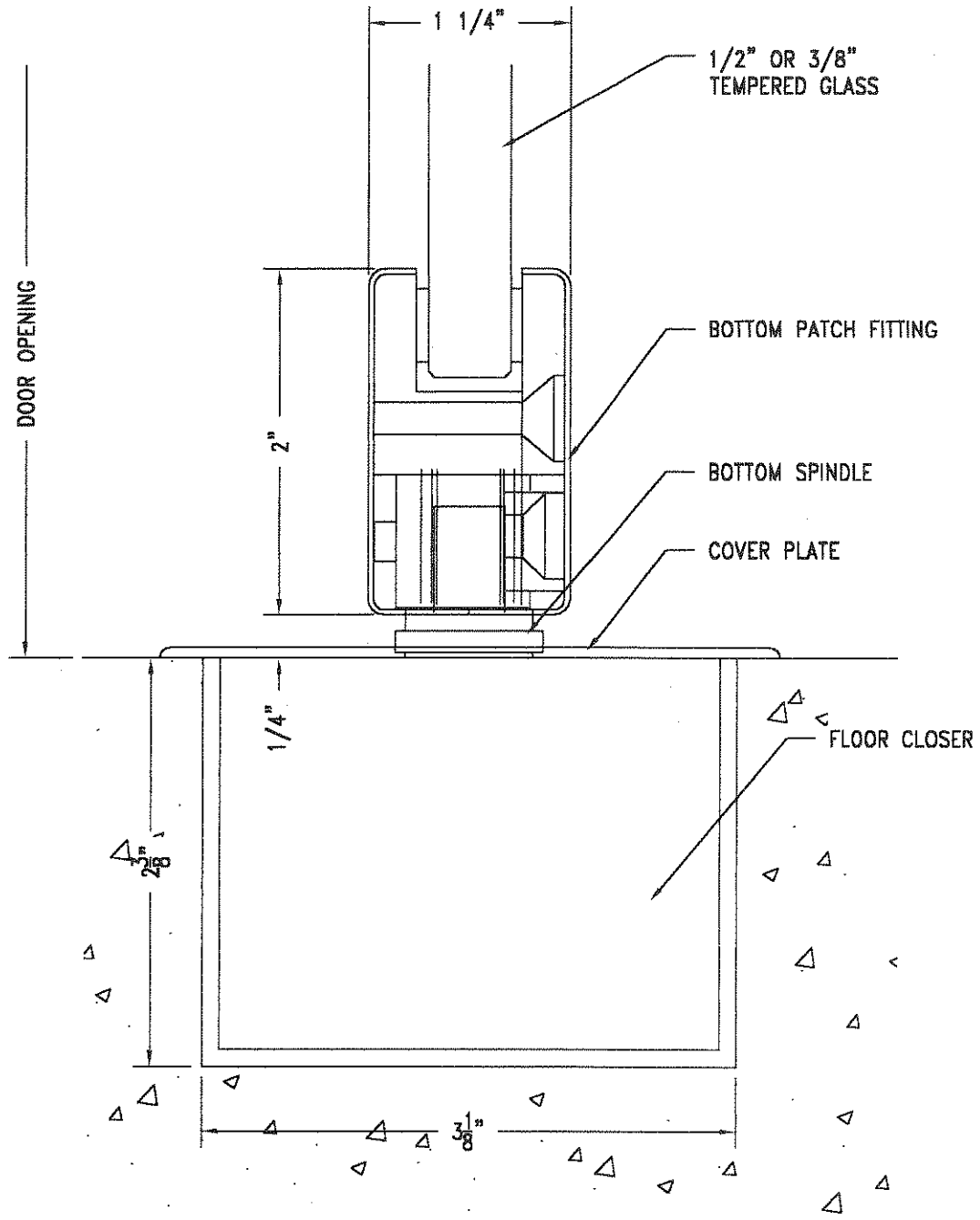


TYPICAL ENTRANCE DETAILS

TYPE 'F' HEADER

DWG. NO.

F3

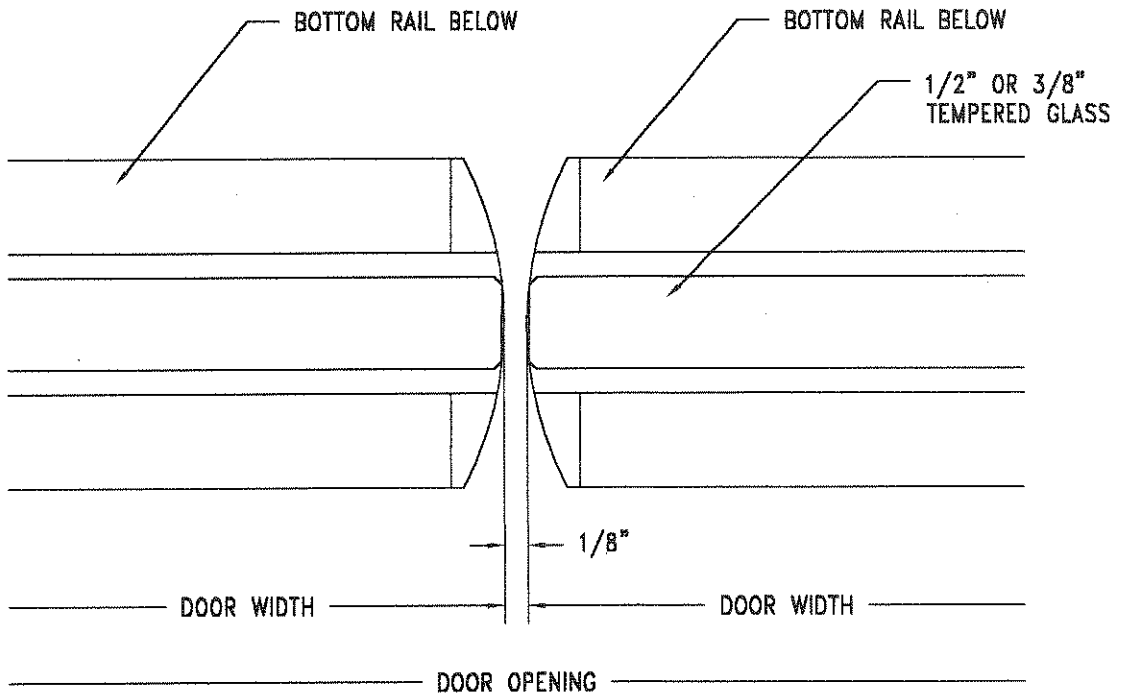


TYPICAL ENTRANCE DETAILS

TYPE 'F' BOTTOM PATCH

DWG. NO.

F4



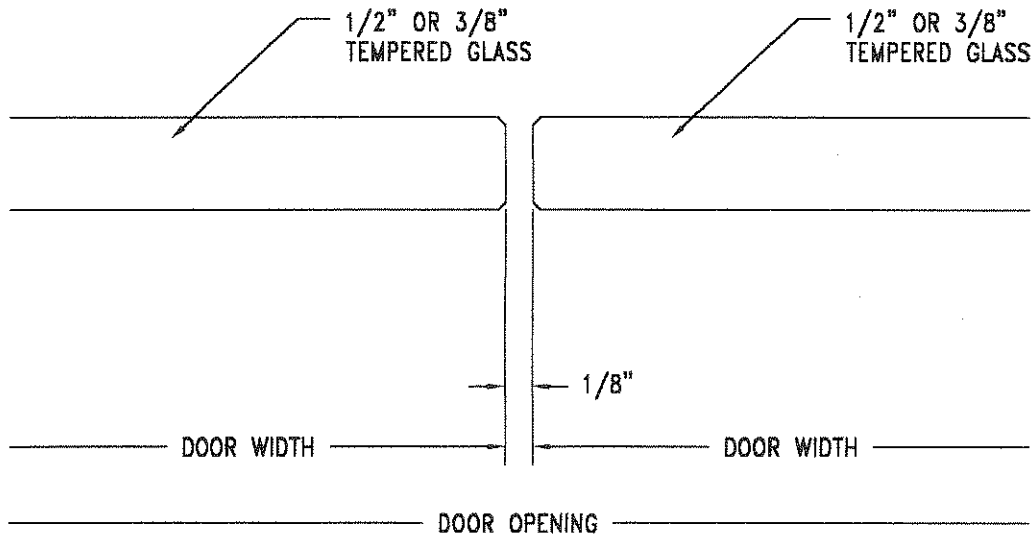
DM1- DOOR MEETING AT 'P'-'BP' DOORS

TYPICAL ENTRANCE DETAILS

DOOR MEETING DETAIL

DWG. NO.

DM1



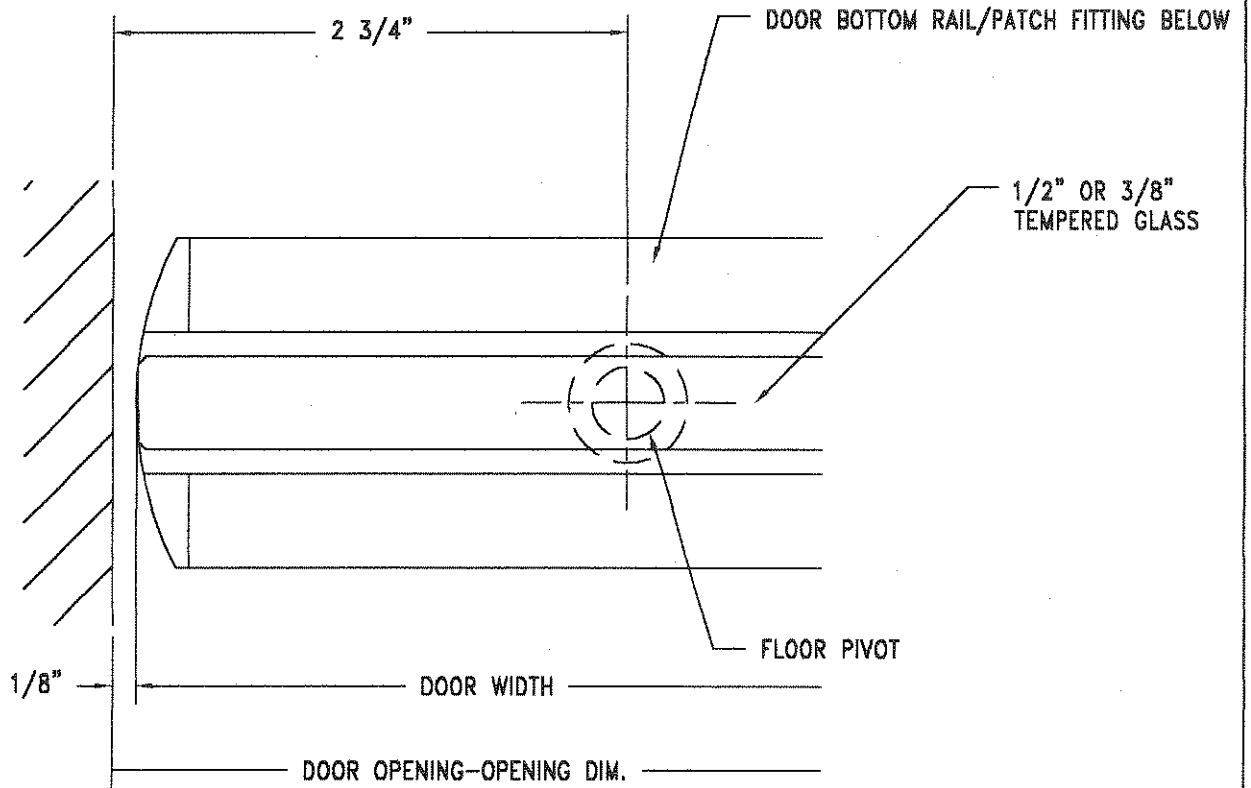
DM2- DOOR MEETING AT TYPE 'A'-'F' DOORS

TYPICAL ENTRANCE DETAILS

DOOR MEETING DETAIL

DWG. NO.

DM2

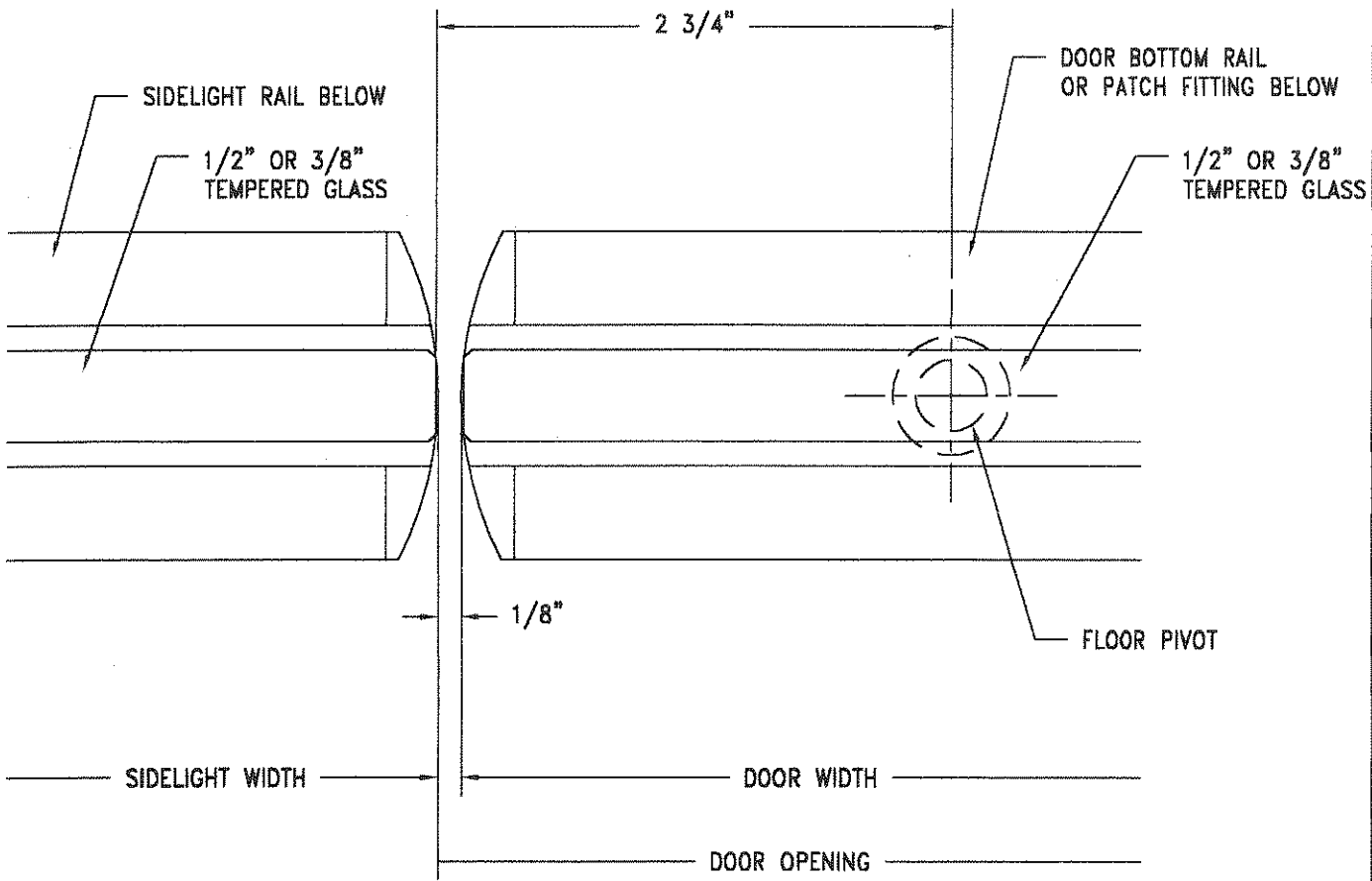


TYPICAL ENTRANCE DETAILS

DOOR AT JAMB-WALL

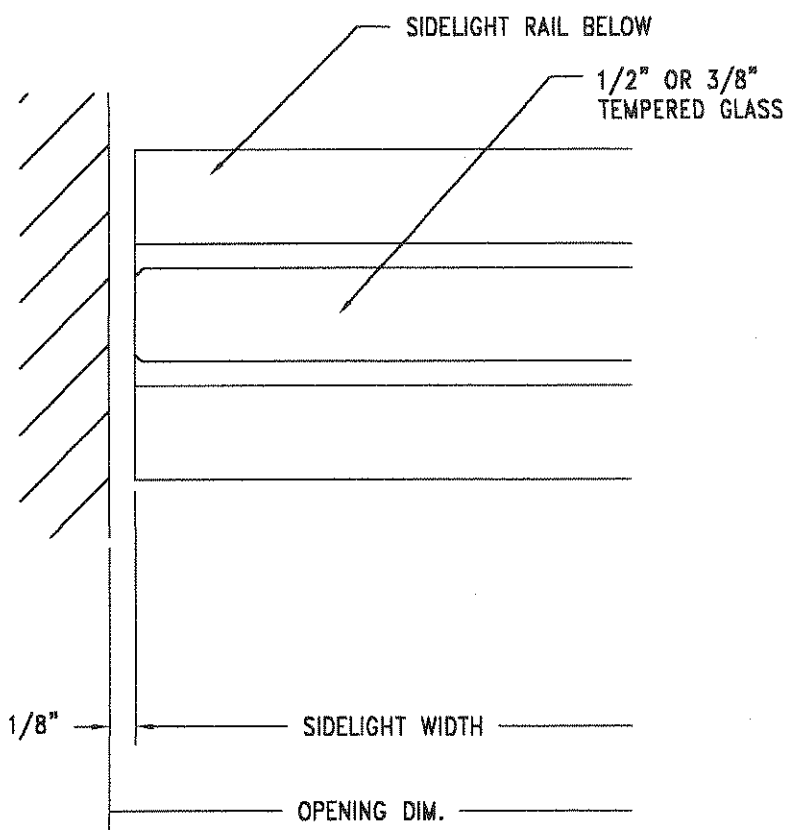
DWG. NO.

DJ1



SL1-DOOR -SIDELITE MEETING

TYPICAL ENTRANCE DETAILS		DWG. NO.
DOOR-SIDELITE		SL1



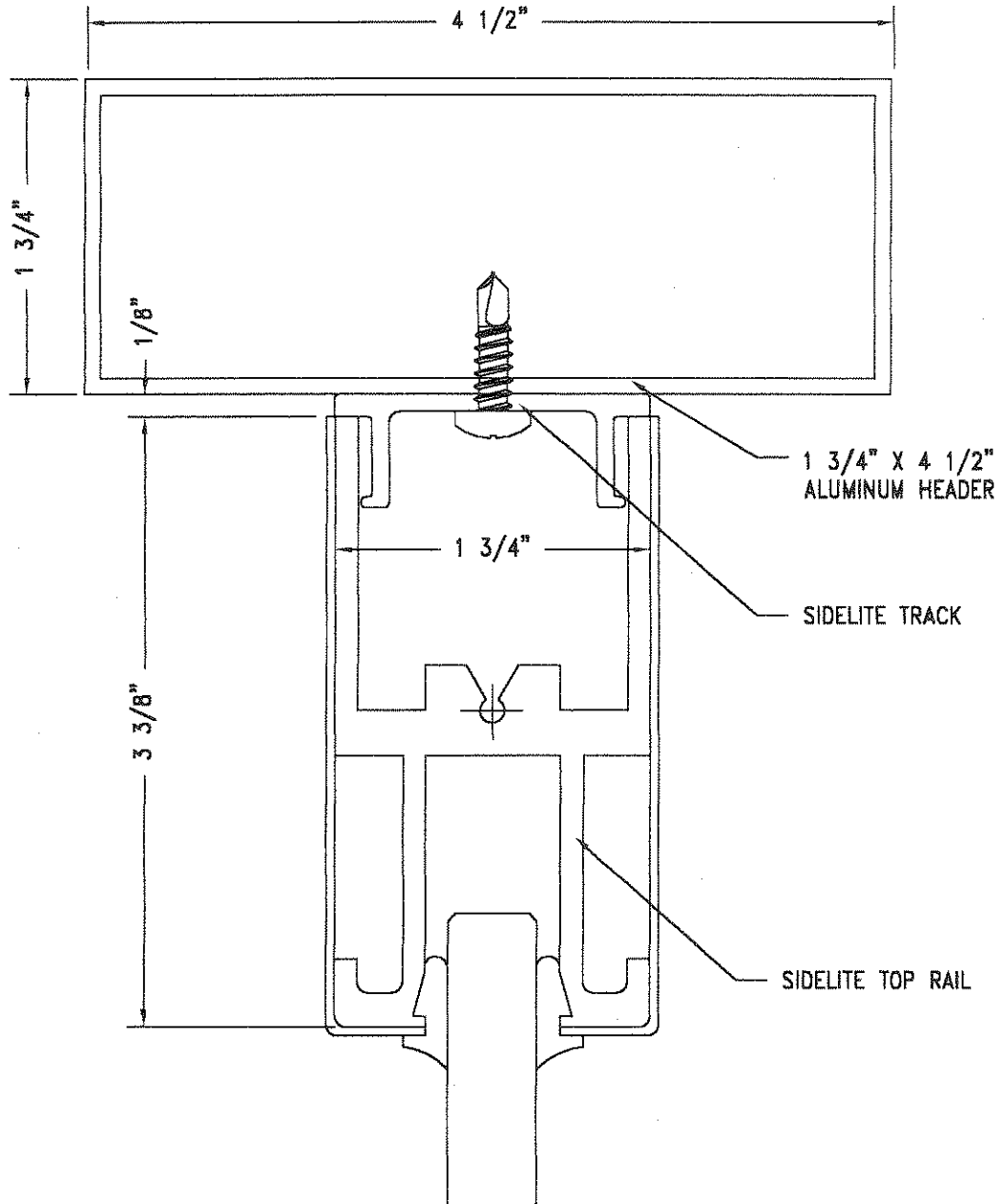
SL2- SIDELITE AT WALL

TYPICAL ENTRANCE DETAILS

WALL-SIDELITE

DWG. NO.

SL2

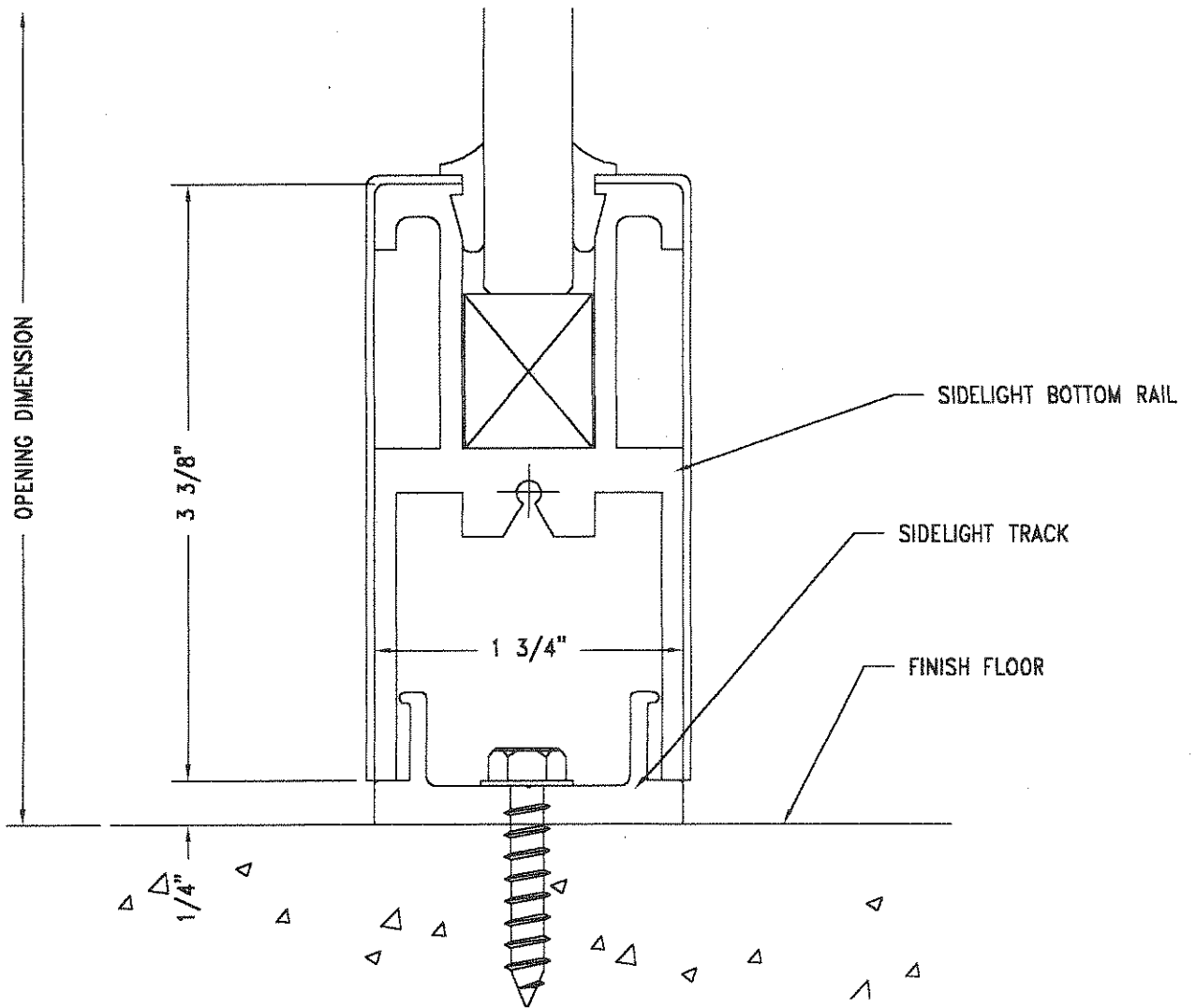


TYPICAL ENTRANCE DETAILS

DWG. NO.

SIDELITE HEAD

SL3

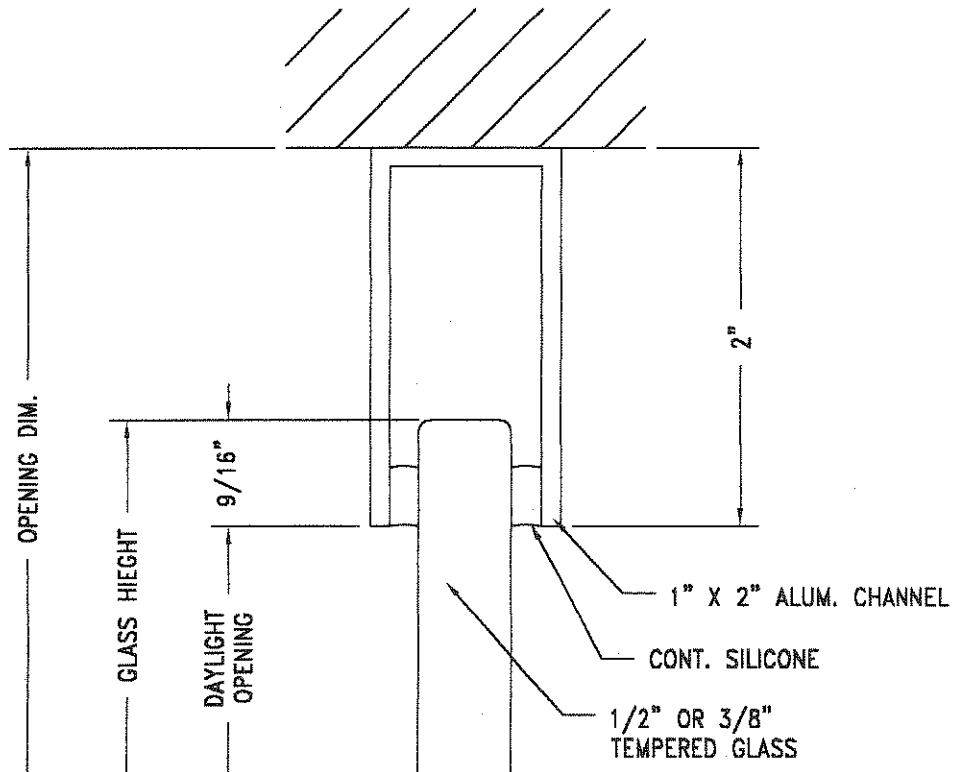


TYPICAL ENTRANCE DETAILS

DWG. NO.

SIDELITE SILL

SL4



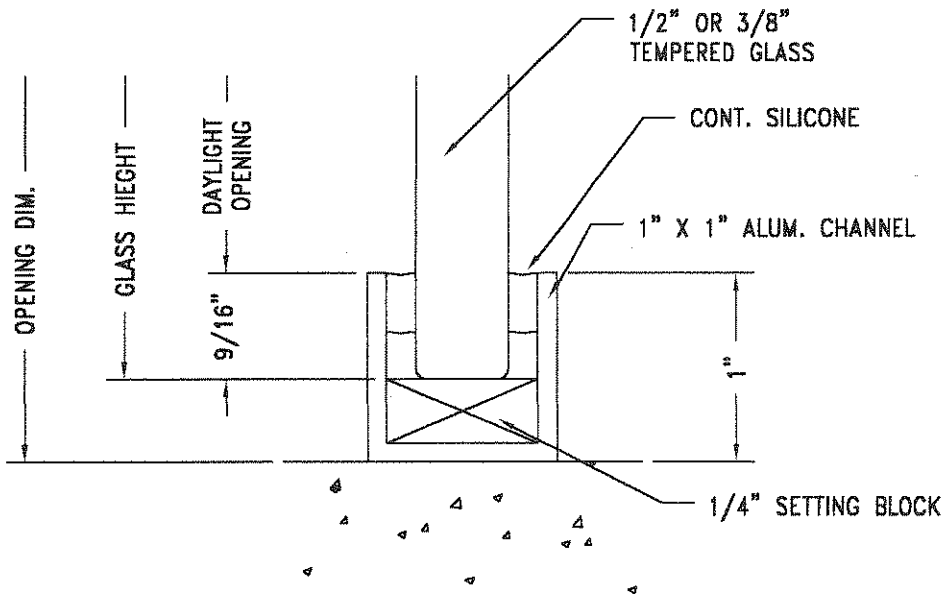
SL5 - CHANNEL GLAZING (HEAD)

TYPICAL ENTRANCE DETAILS

DWG. NO.

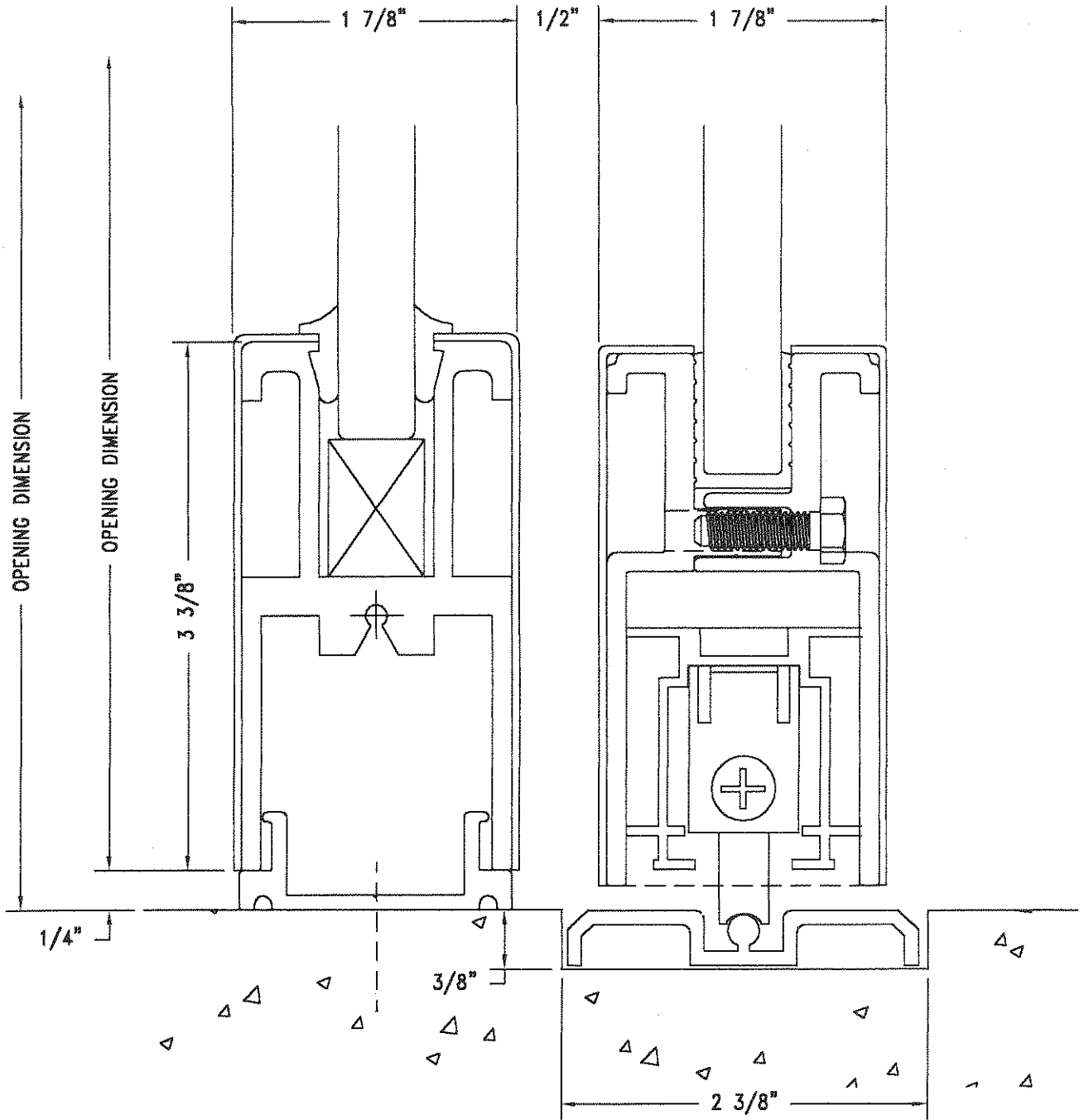
SIDELITE HEAD (CHANNEL GLAZING)

SL5



SL6 - CHANNEL GLAZING (SILL)

TYPICAL ENTRANCE DETAILS	DWG. NO.
SIDELITE SILL (CHANNEL GLAZING)	SL6



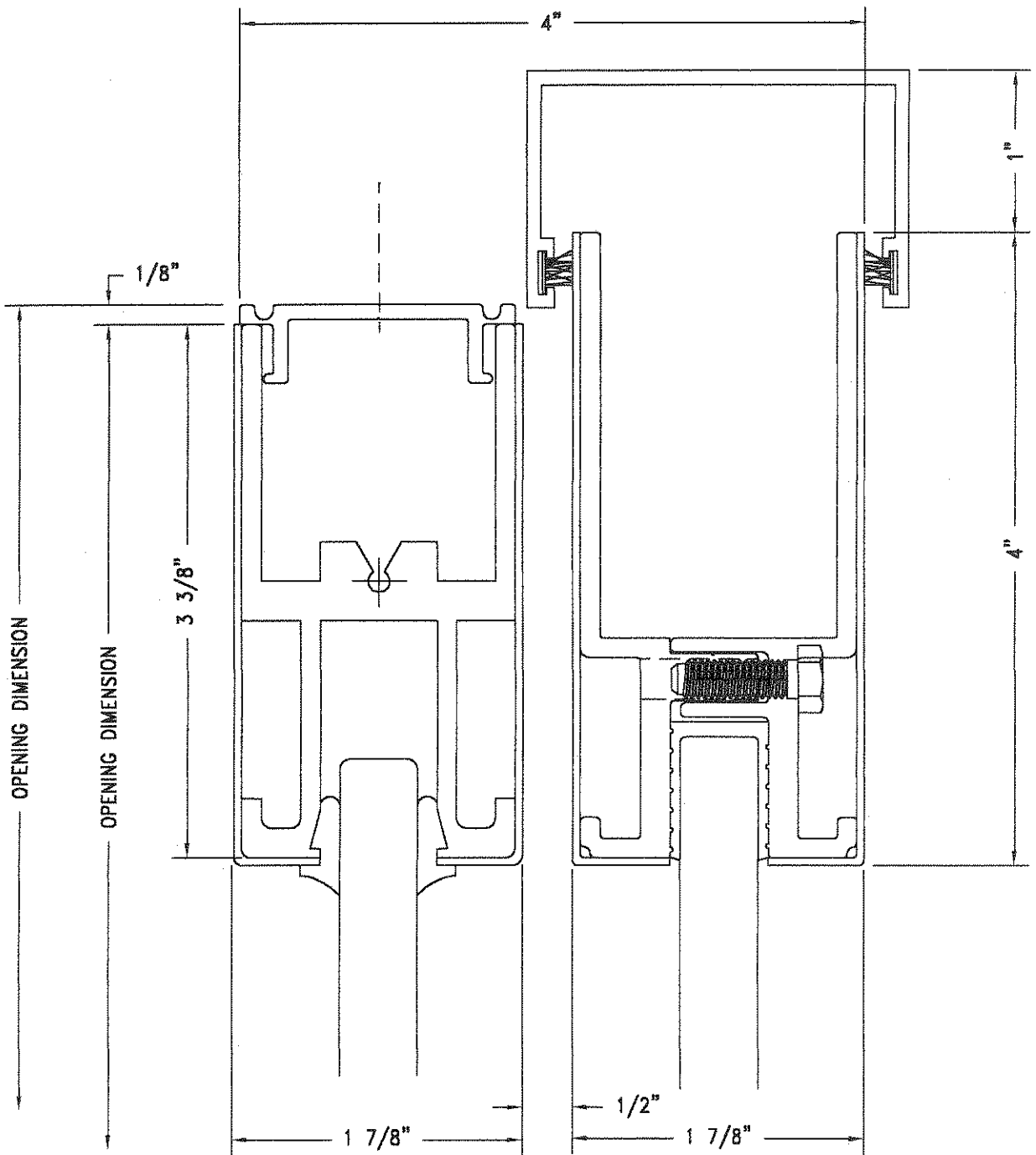
SL7- SLIDER SILL

SLIDER ENTRANCE DETAILS

SLIDING DOOR BOTTOM RAILS

DWG. NO.

SL7



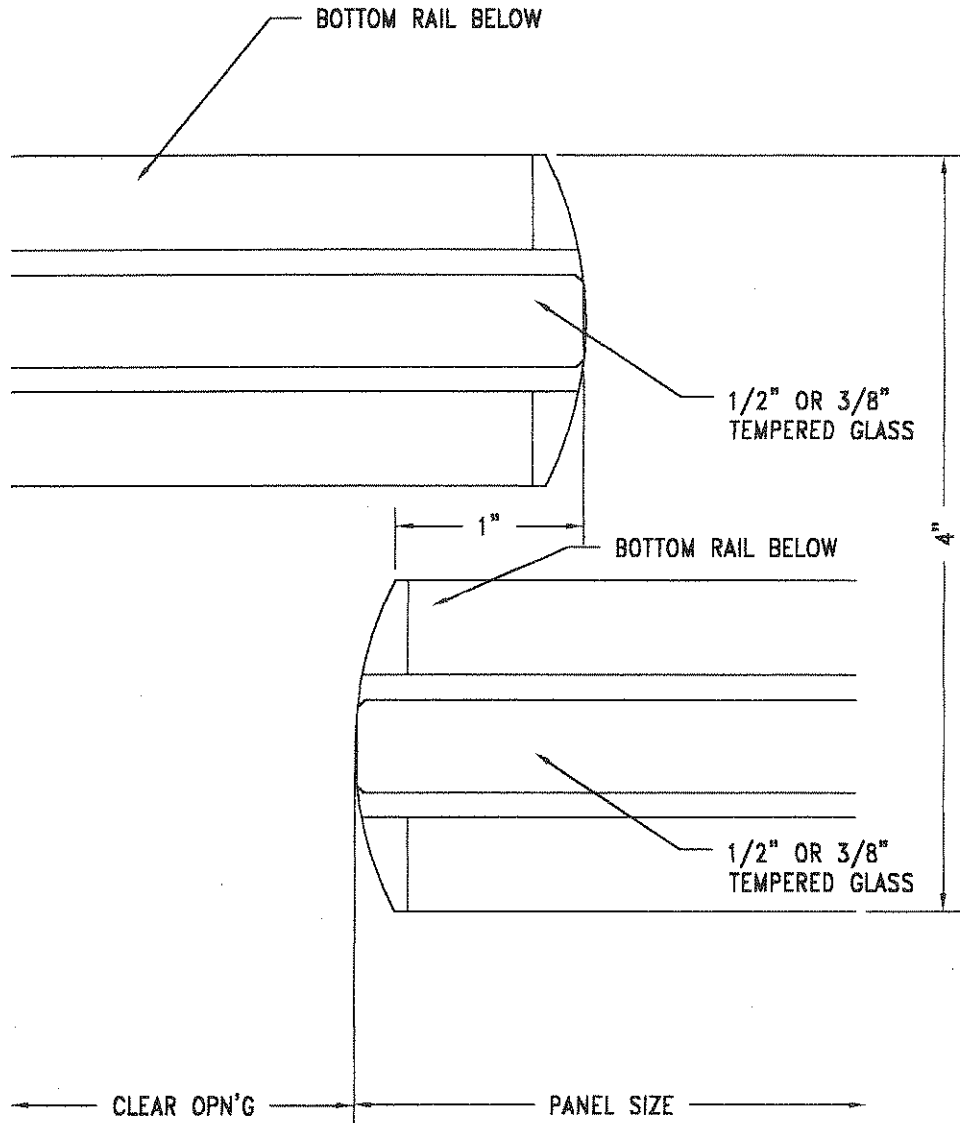
SL8- SLIDER HEAD

SLIDER ENTRANCE DETAILS

DWG. NO.

SLIDING DOOR HEAD DETAIL

SL8



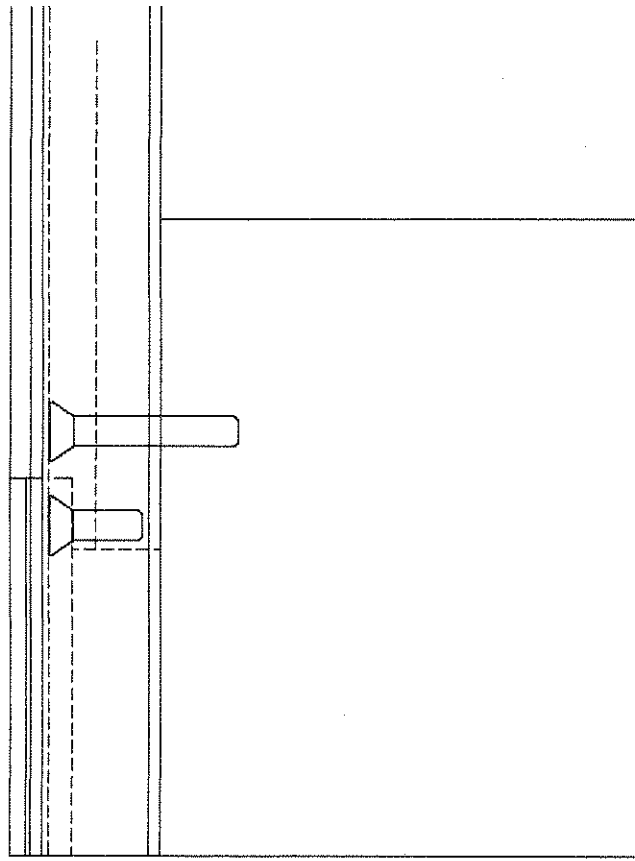
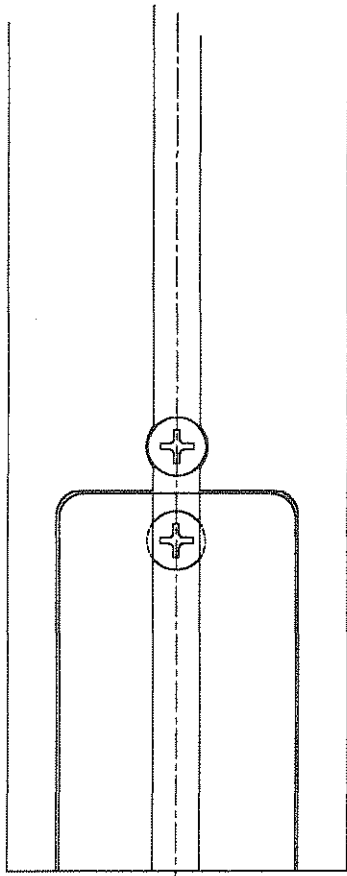
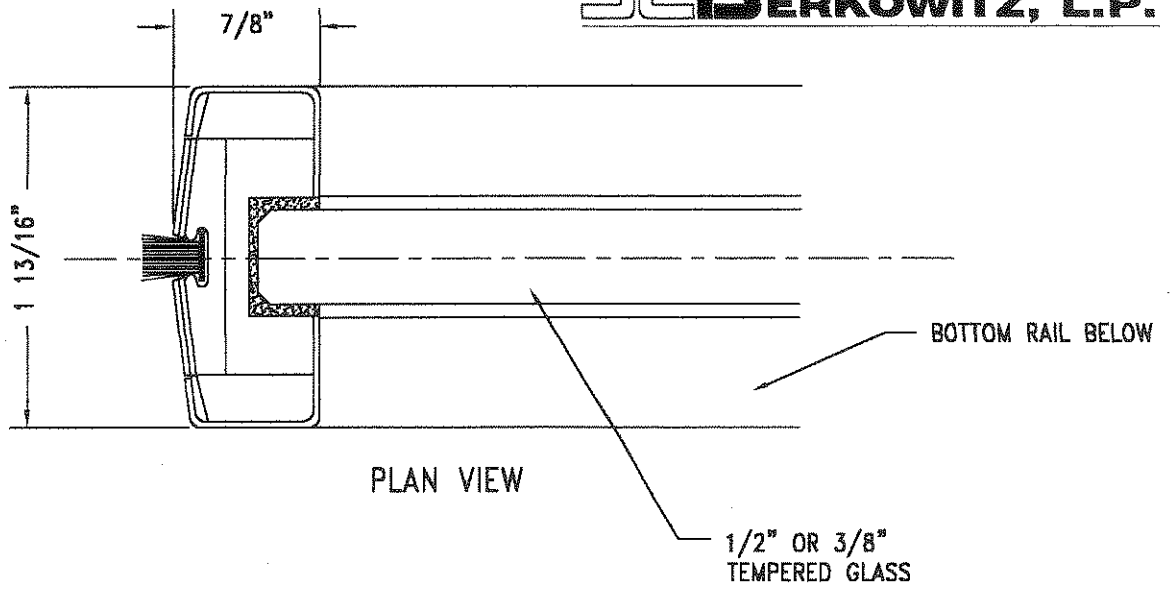
SL9- SLIDER MEETING

SLIDER ENTRANCE DETAILS

DWG. NO.

SLIDING DOOR MEETING DETAIL

SL9



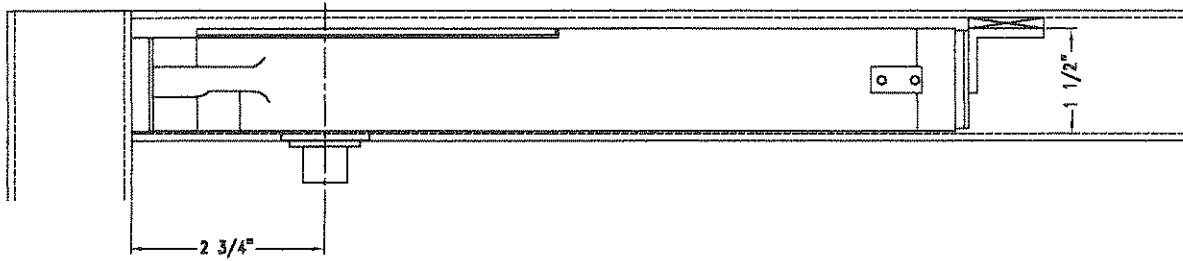
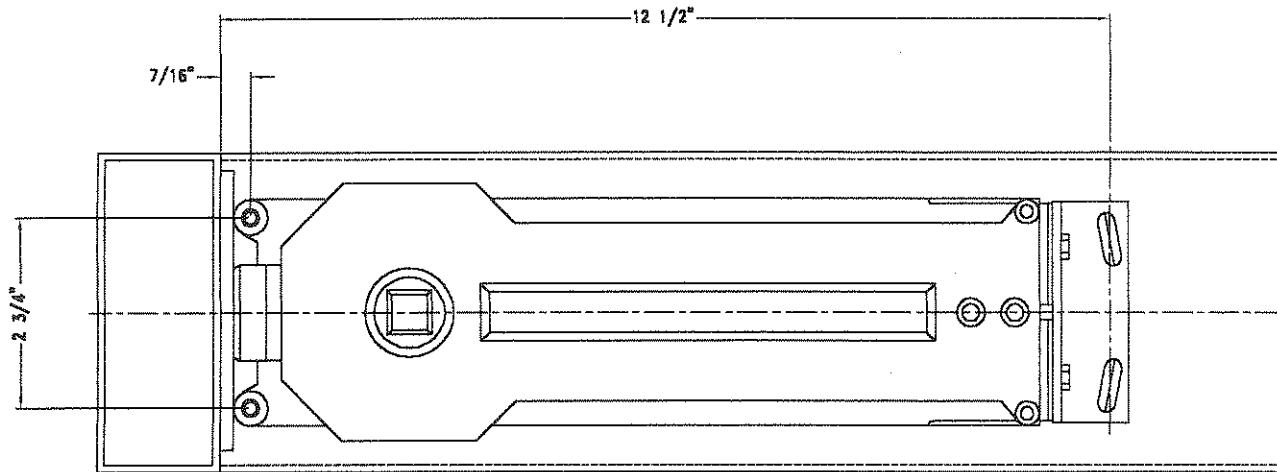
VS1- VERTICAL STILE

ENTRANCE DETAILS

VERTICAL STILE

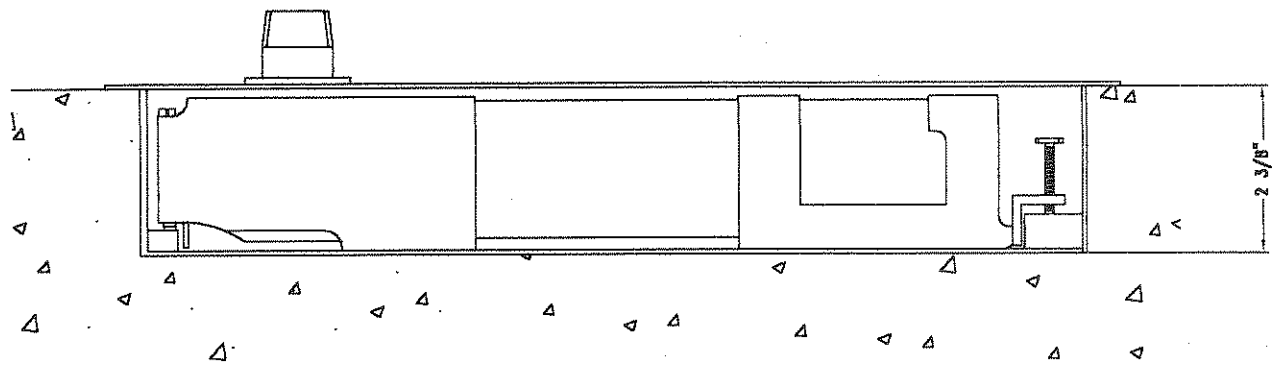
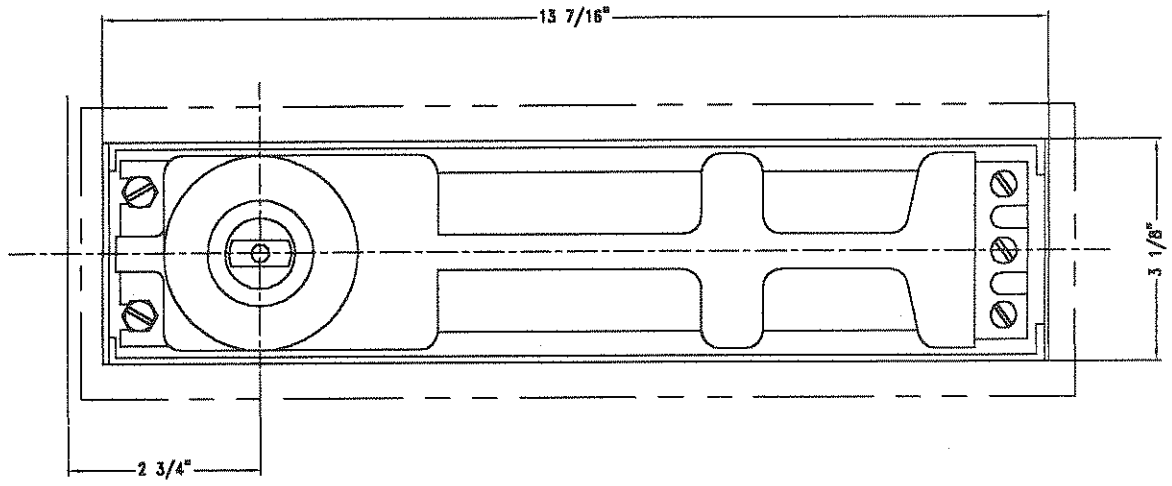
DWG. NO.

VS1



H1-OVERHEAD CONCEALED CLOSER

TYPICAL ENTRANCE DETAILS		DWG. NO.
OVERHEAD CONCEALED CLOSER		H1



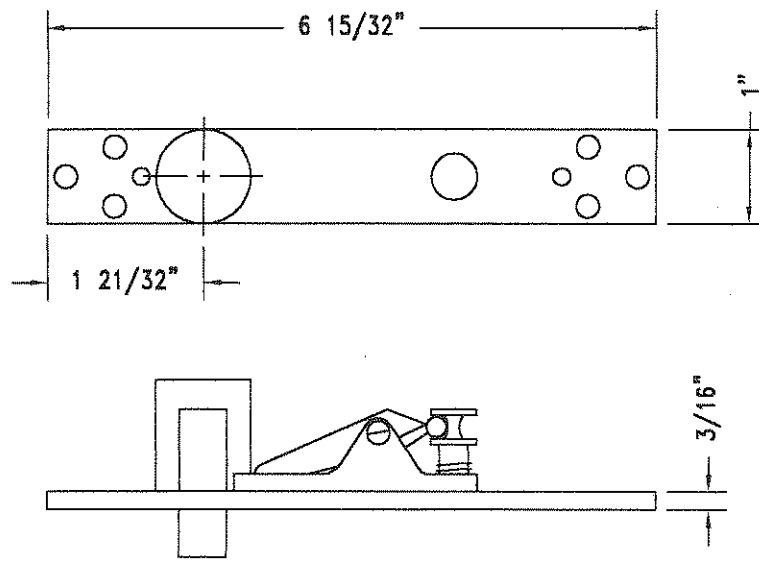
H2- FLOOR CLOSER

TYPICAL ENTRANCE DETAILS

FLOOR CLOSER

DWG. NO.

H2



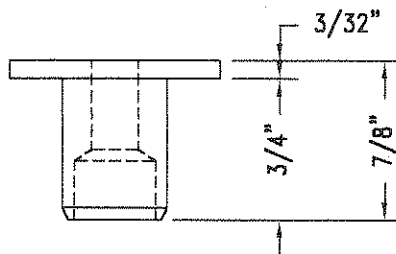
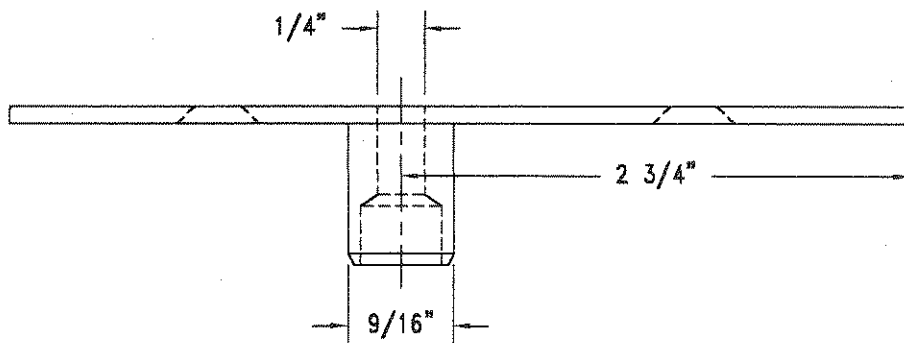
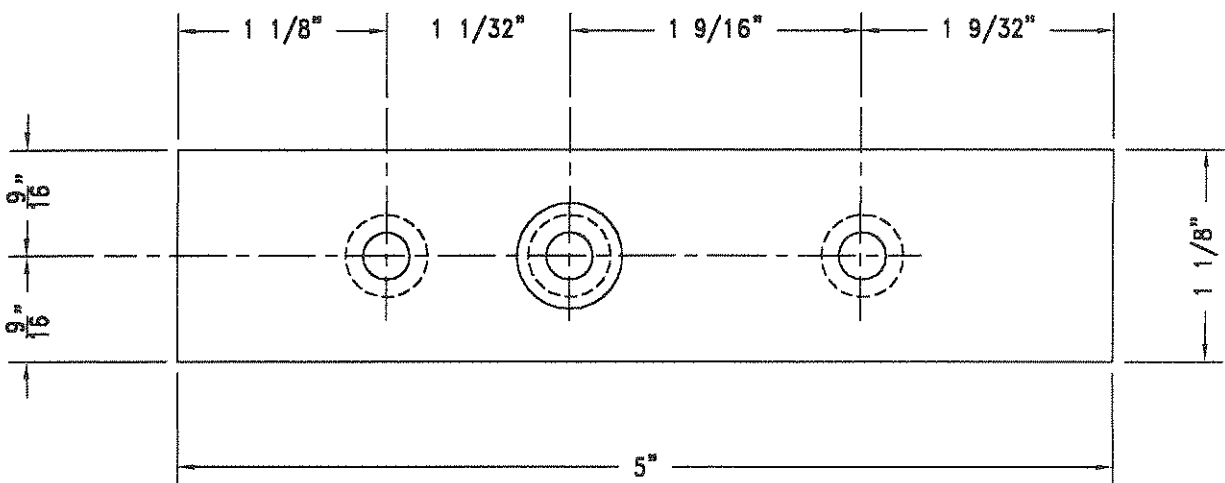
H3 - TOP WALKING BEAM PIVOT

TYPICAL ENTRANCE DETAILS

TOP WALKING BEAM PIVOT

DWG. NO.

H3



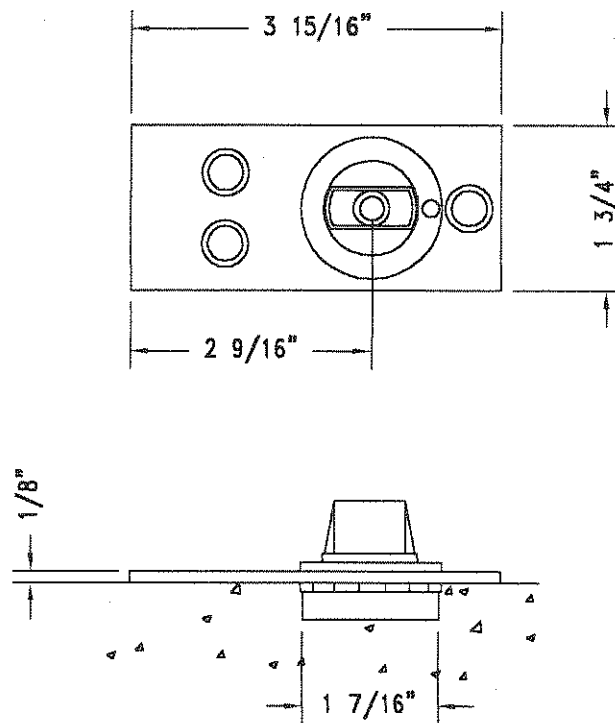
H4B - SURFACE MOUNTED TOP PIVOT

TYPICAL ENTRANCE DETAILS

SURFACE MOUNTED TOP PIVOT

DWG. NO.

H3A



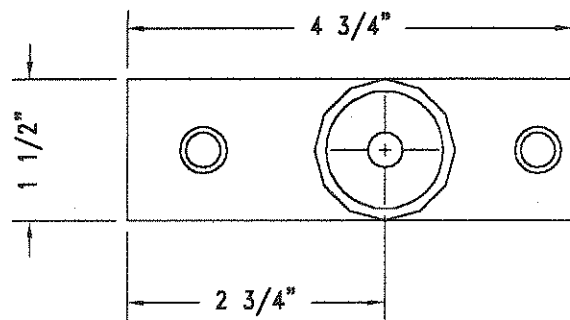
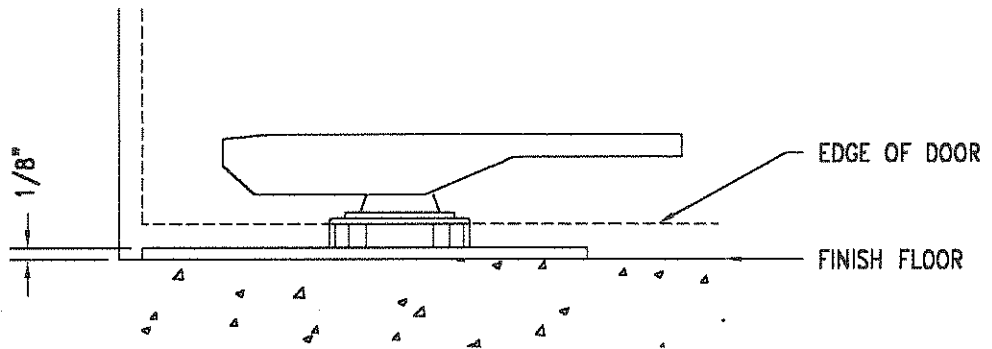
H4 - FLOOR MOUNTED PIVOT FOR TYPE A & F DOORS

TYPICAL ENTRANCE DETAILS

FLOOR MOUNTED PIVOT

DWG. NO.

H4



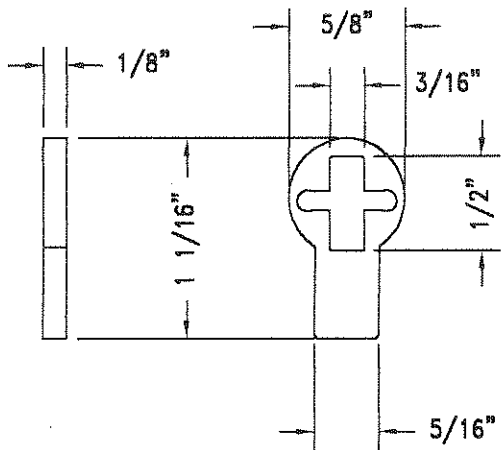
H4A - FLOOR MOUNTED PIVOT
FOR USE WITH P/BP TYPE DOORS

TYPICAL ENTRANCE DETAILS

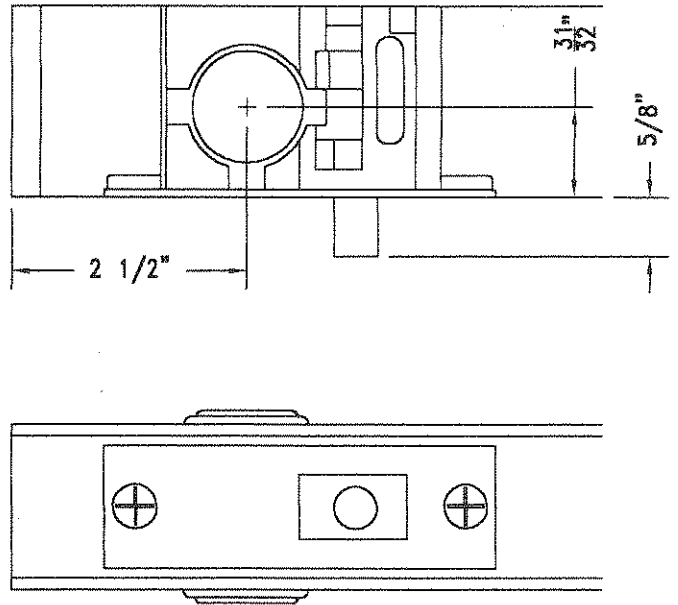
FLOOR MOUNTED PIVOT

DWG. NO.

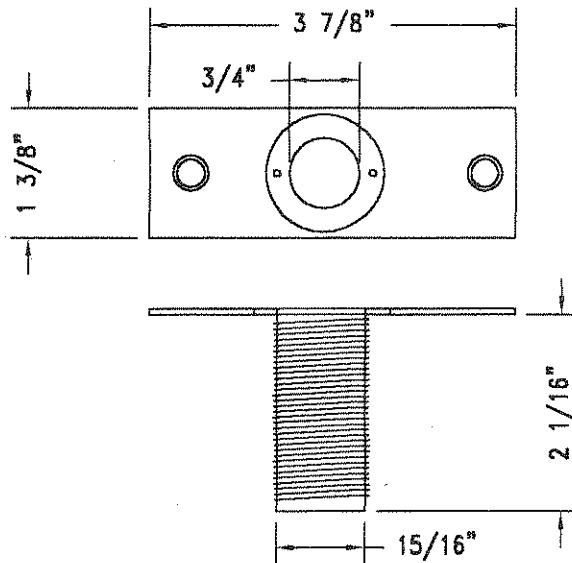
H4A



STANDARD MORTISE CYLINDER CAM



H5 - BOTTOM RAIL LOCK



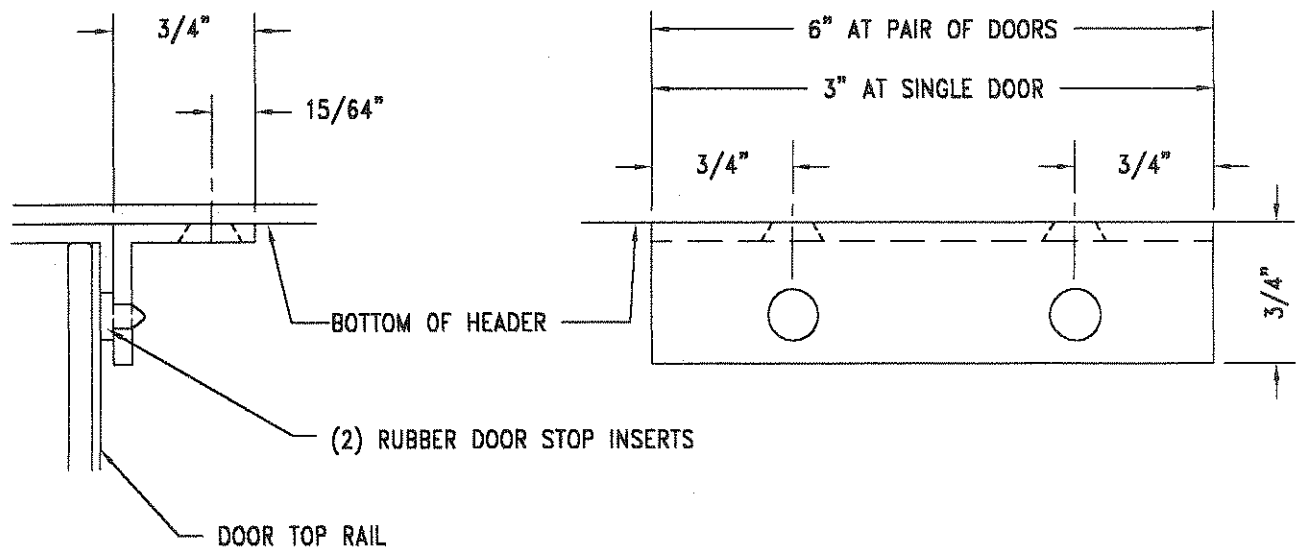
DUSTPROOF STRIKE

TYPICAL ENTRANCE DETAILS

BOTTOM RAIL LOCK

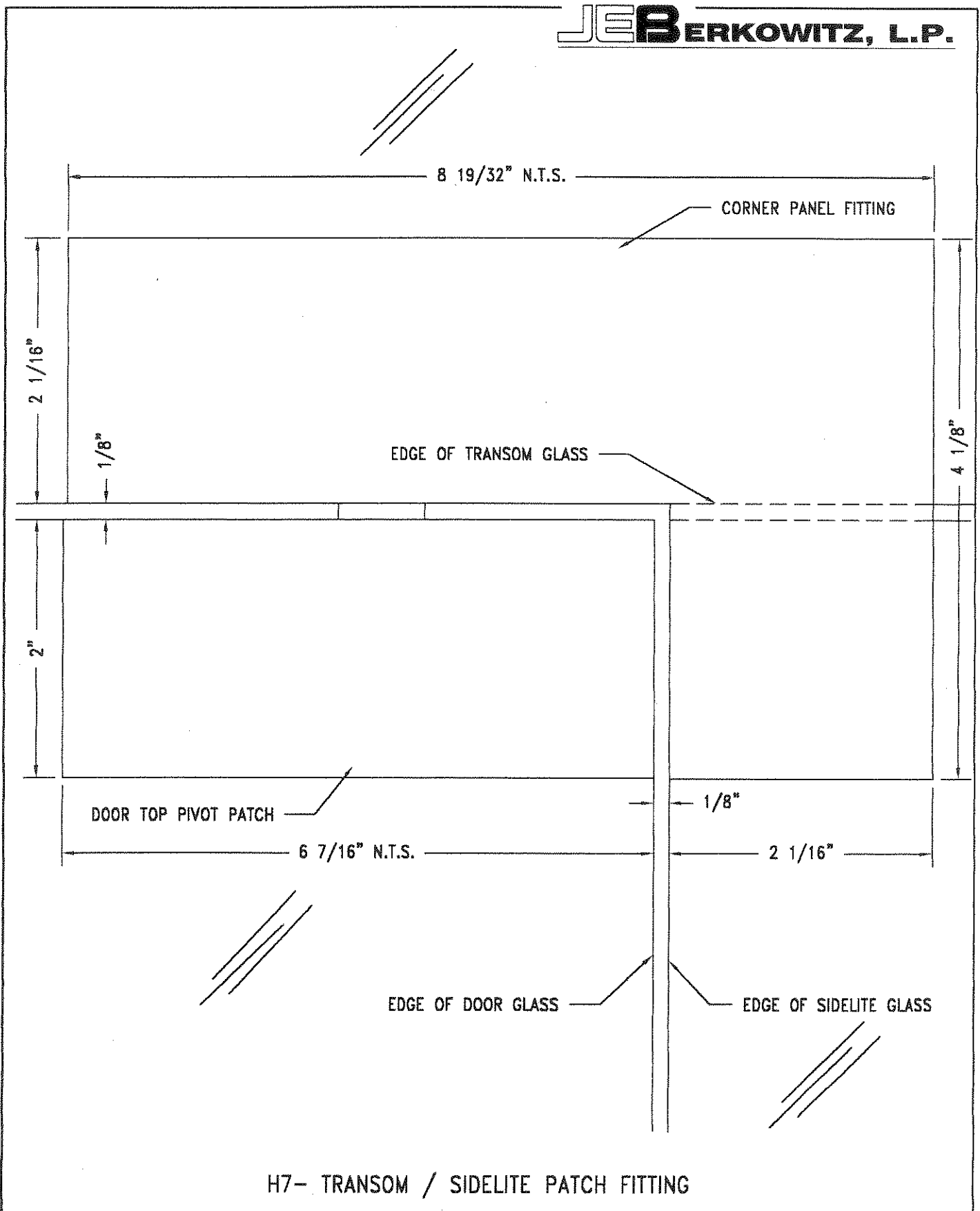
DWG. NO.

H5



H6 - OVERHEAD ANGLE STOP

TYPICAL ENTRANCE DETAILS	DWG. NO.
OVERHEAD MOUNTED STOP	H6



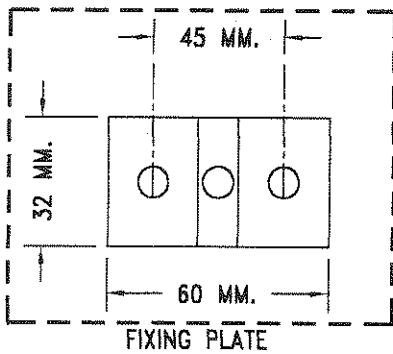
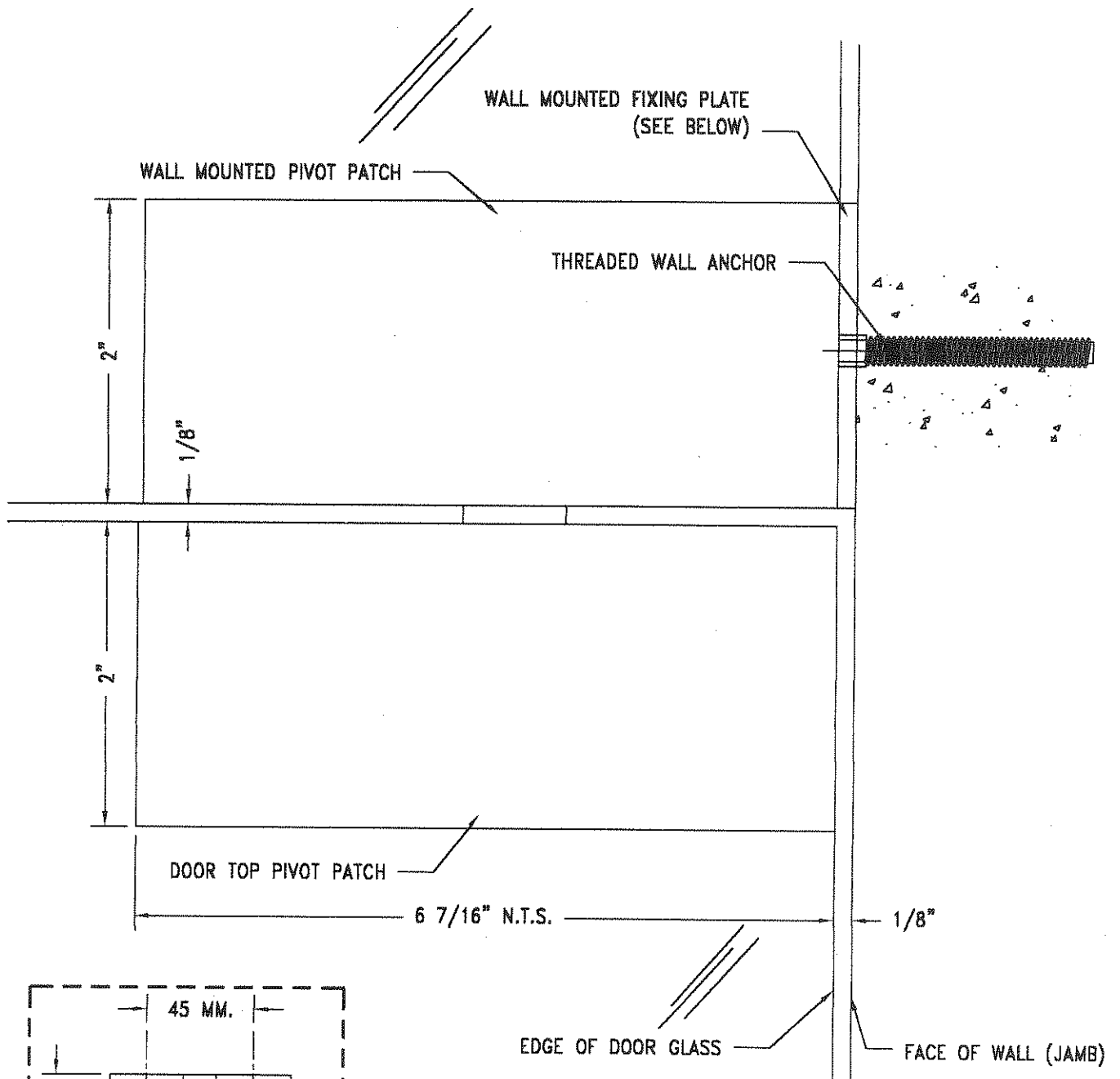
H7- TRANSOM / SIDELITE PATCH FITTING

TYPICAL ENTRANCE DETAILS

DWG. NO.

TRANSOM / SIDELITE PIVOT PATCH

H7



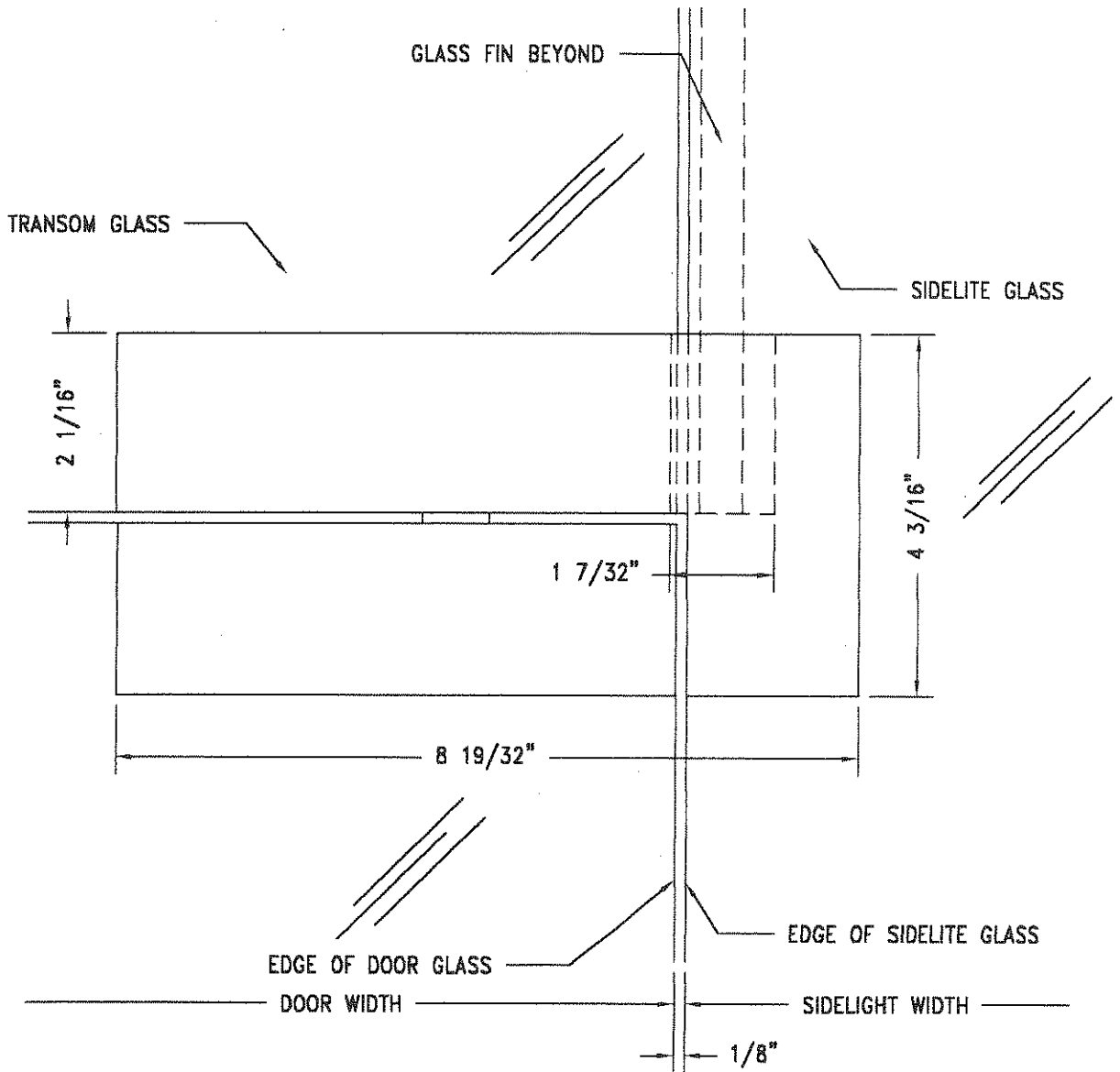
H8- TRANSOM/WALL PIVOT PATCH FITTING

TYPICAL ENTRANCE DETAILS

DWG. NO.

TRANSOM / DOOR PIVOT PATCH

H8



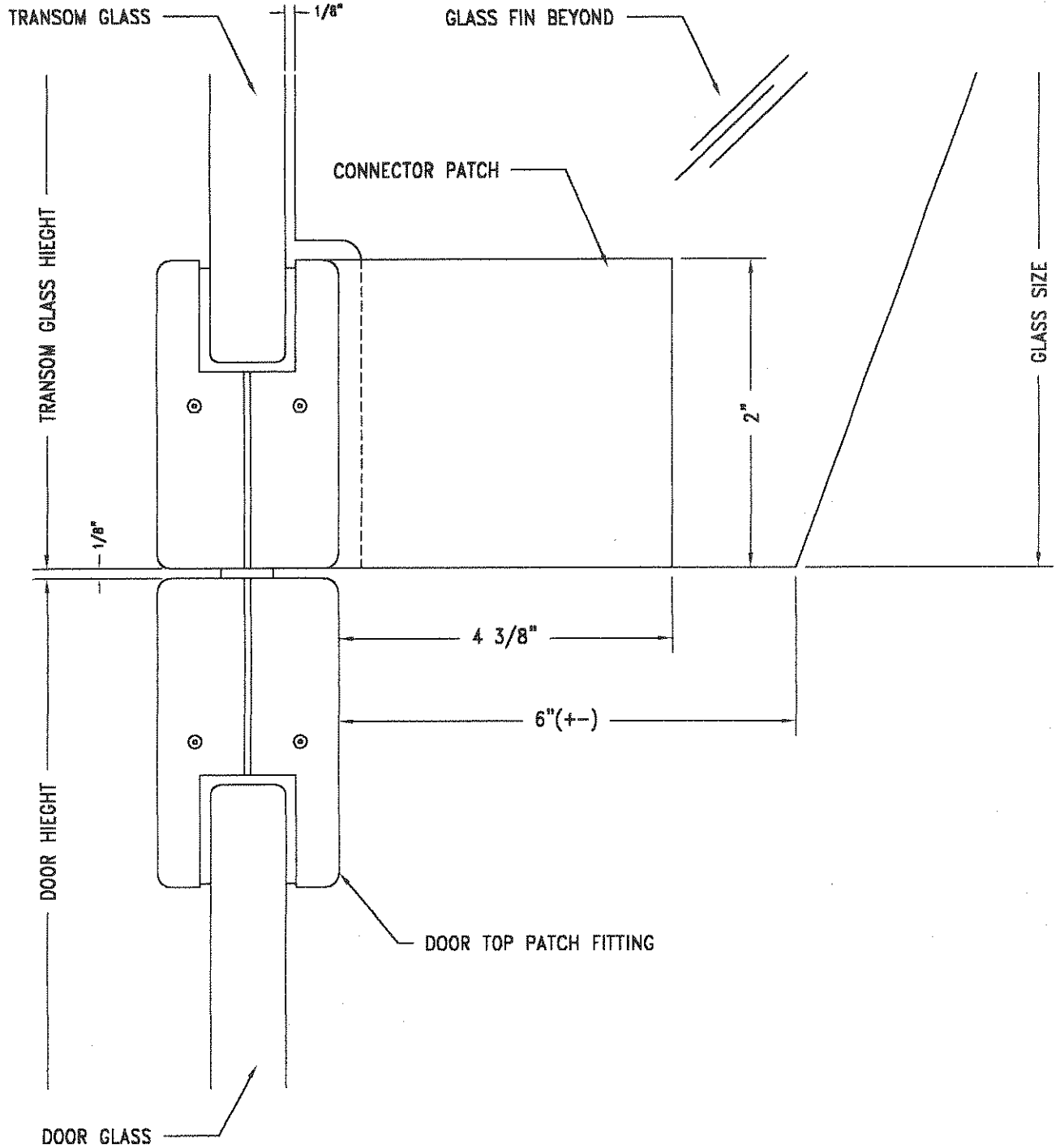
H9- TRANSOM / SIDELITE PATCH FITTING W/FIN
SEE PAGE H9A FOR SIDE VIEW

TYPICAL ENTRANCE DETAILS

DWG. NO.

TRANSOM / SIDELITE PIVOT PATCH W/FIN

H9



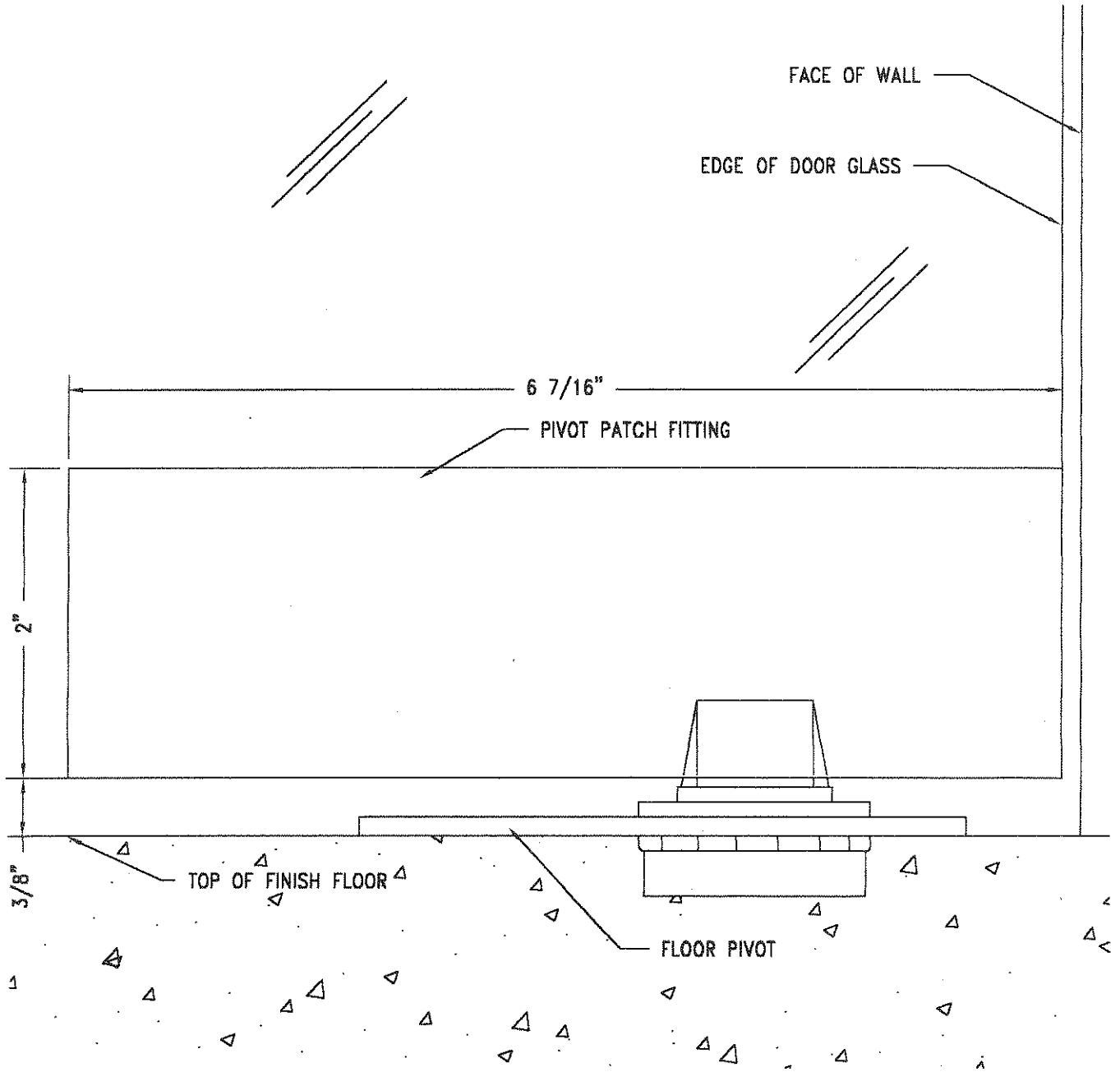
H9A- TRANSOM / SIDELITE PATCH FITTING W/FIN

TYPICAL ENTRANCE DETAILS

DWG. NO.

TRANSOM / SIDELITE PIVOT PATCH W/FIN

H9A



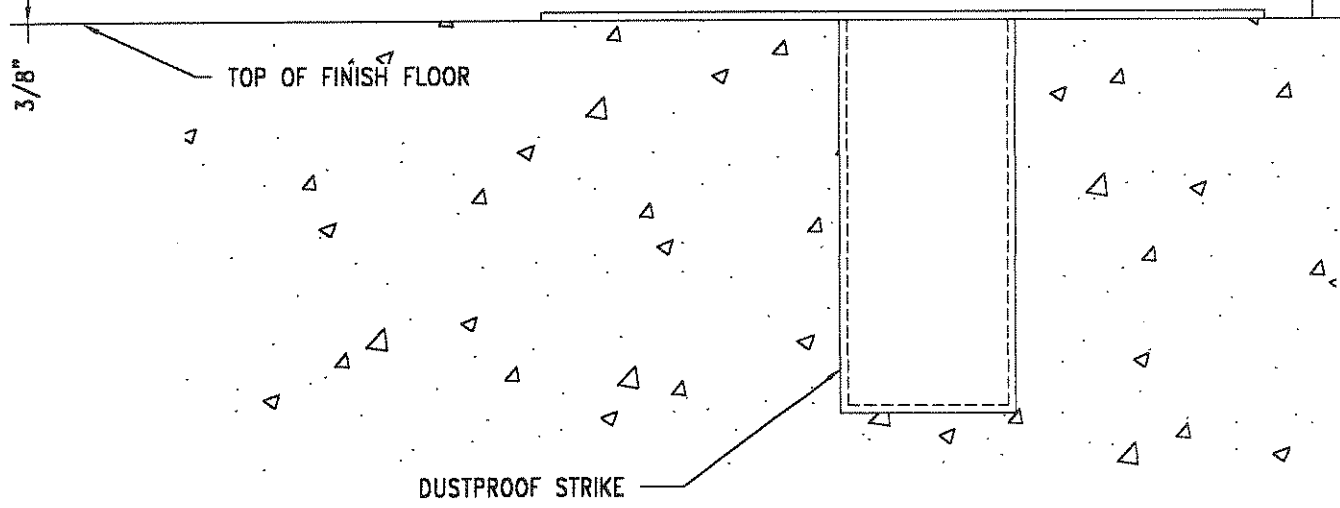
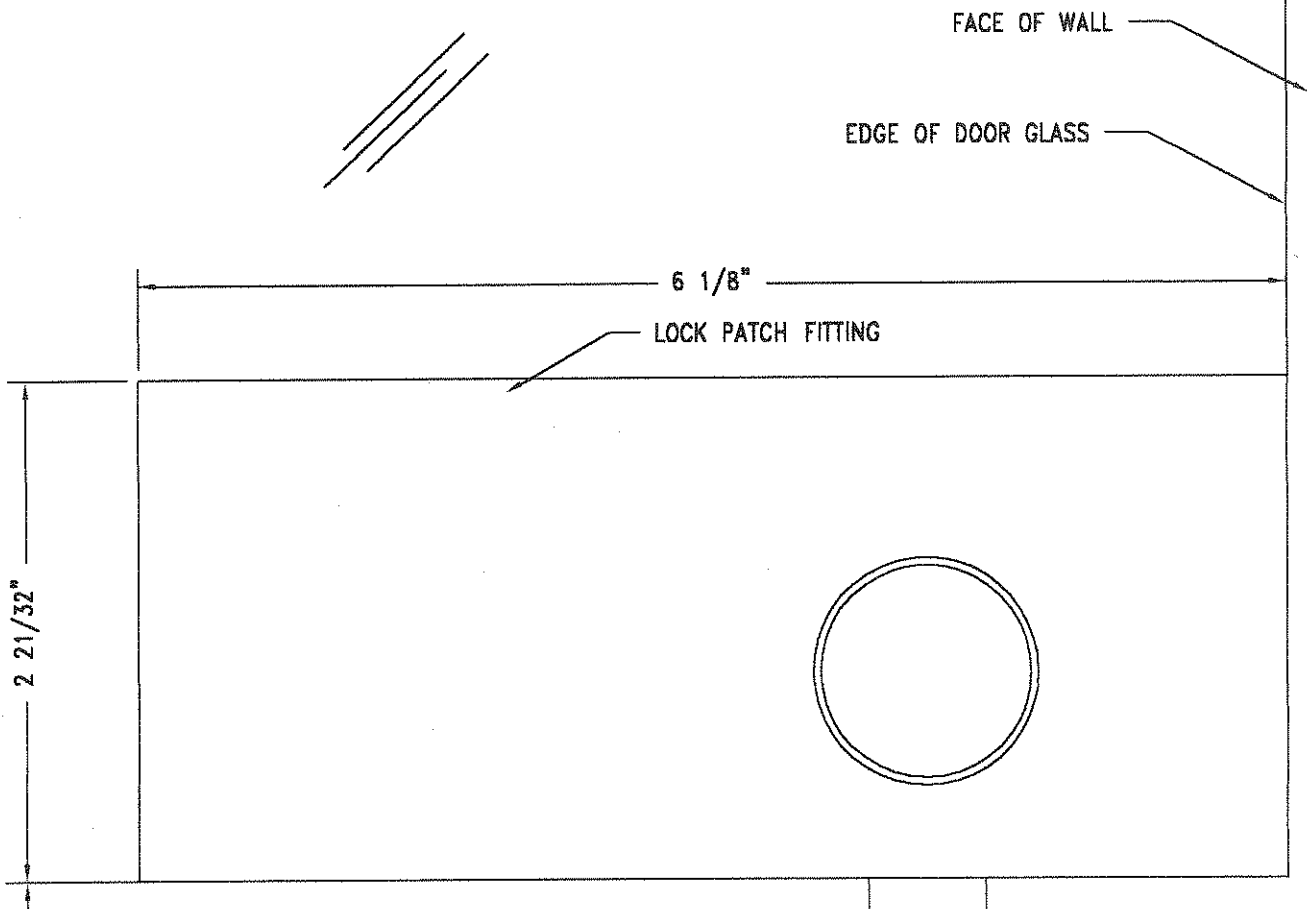
H10- BOTTOM PIVOT PATCH

TYPICAL ENTRANCE DETAILS

BOTTOM PIVOT PATCH

DWG. NO.

H10



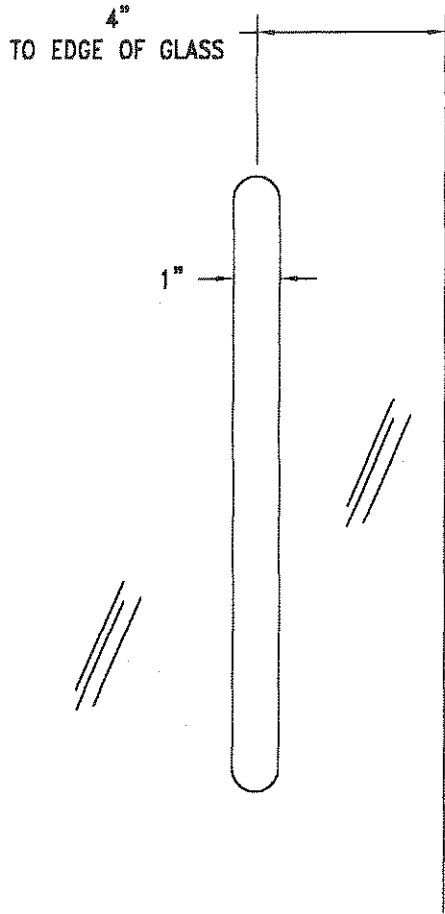
H10A- BOTTOM LOCK PATCH

TYPICAL ENTRANCE DETAILS

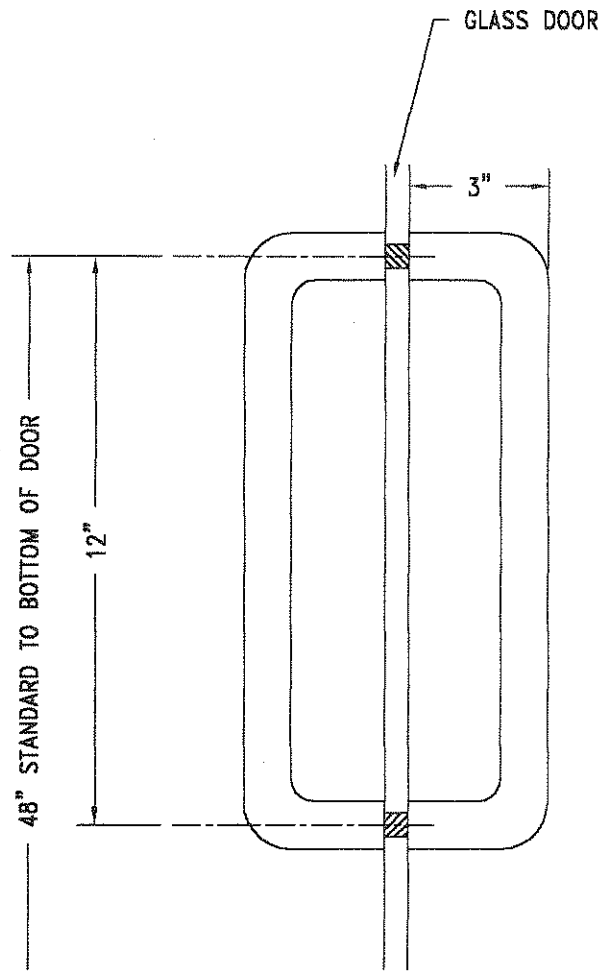
DWG. NO.

BOTTOM LOCK PATCH

H10A



ELEVATION VIEW



SECTION VIEW

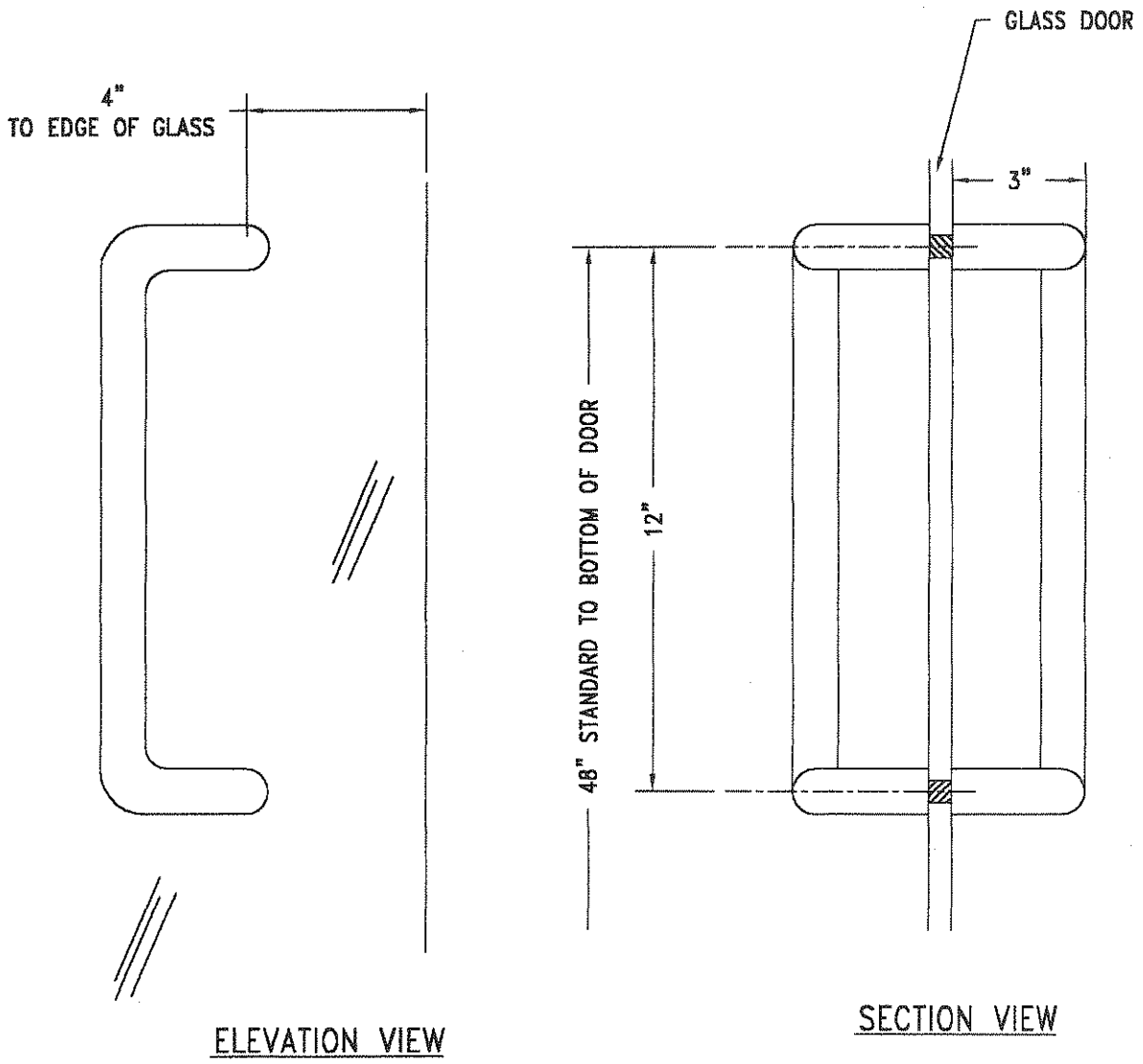
H11- 12" BACK-TO-BACK PULL HANDLES

TYPICAL ENTRANCE DETAILS

12" BACK TO BACK PULLS

DWG. NO.

H11



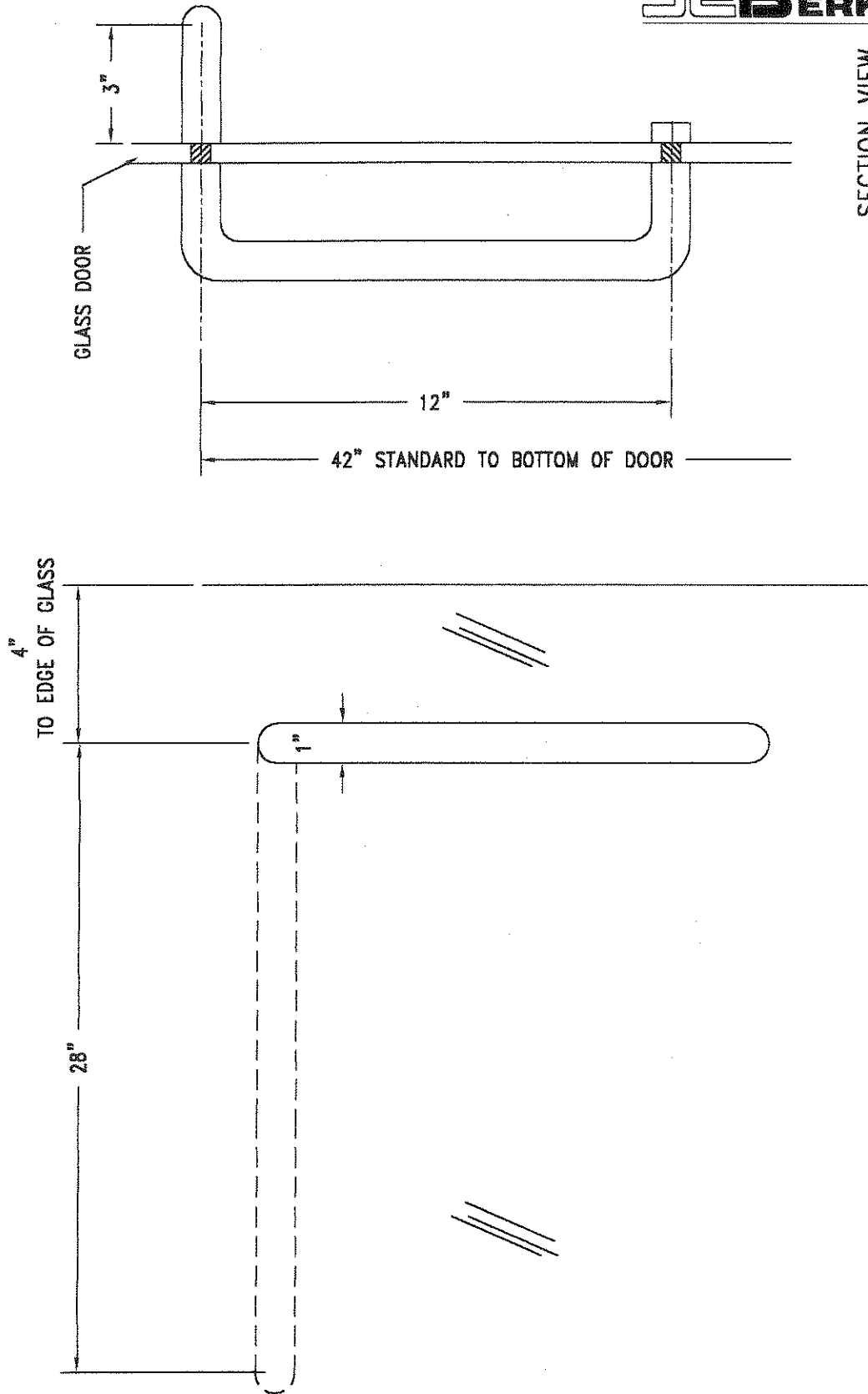
H12- 12" BACK-TO-BACK 90° OFFSET PULL HANDLES

TYPICAL ENTRANCE DETAILS

DWG. NO.

12" BACK TO BACK 90° OFFSET PULLS

H12



SECTION VIEW

ELEVATION VIEW

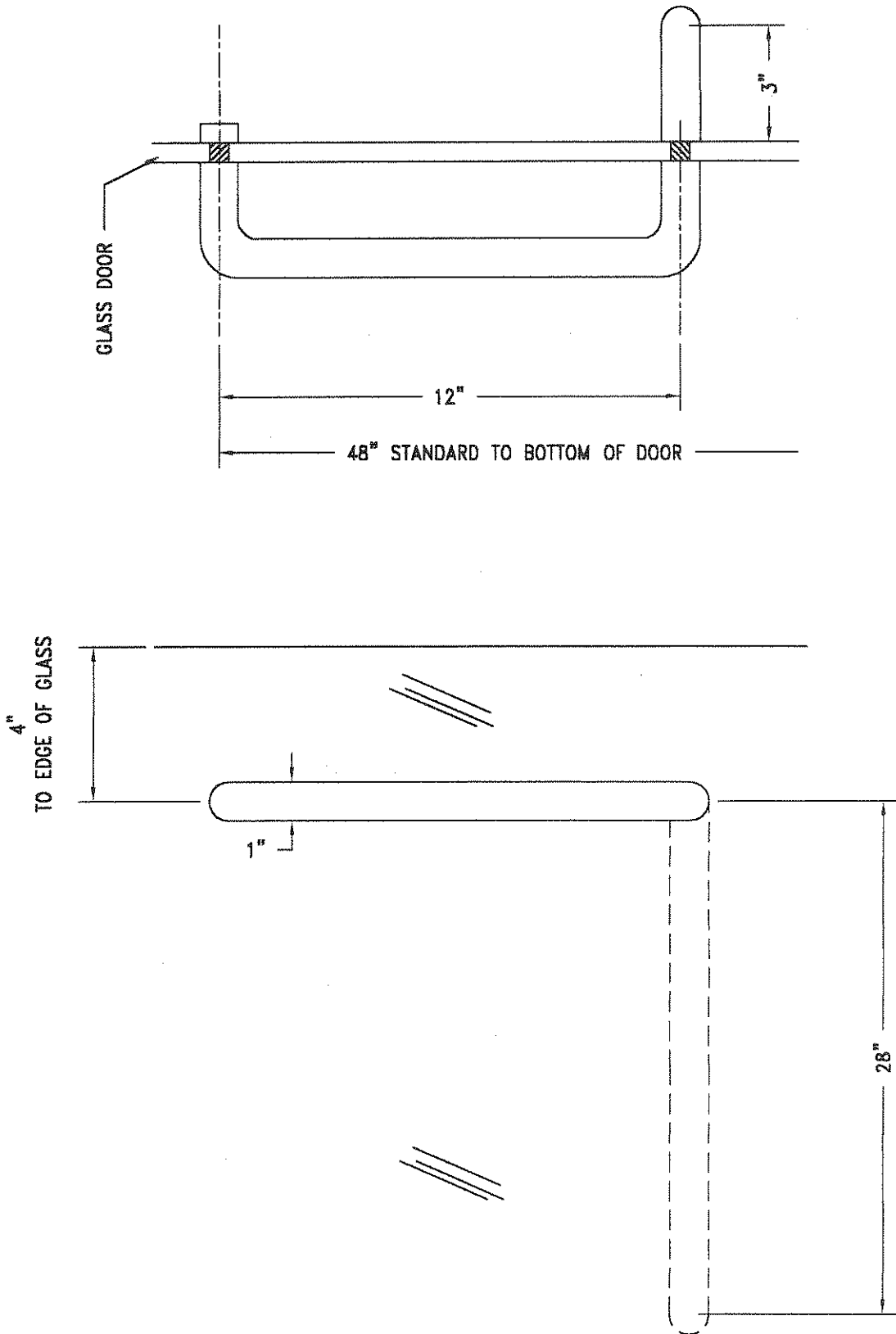
H13- 12" PULL X 28" PUSH BAR (PUSH AT TOP)

TYPICAL ENTRANCE DETAILS

DWG. NO.

12" PULL X 28" PUSH BAR (PUSH BAR AT TOP OF DOOR)

H13



SECTION VIEW

ELEVATION VIEW

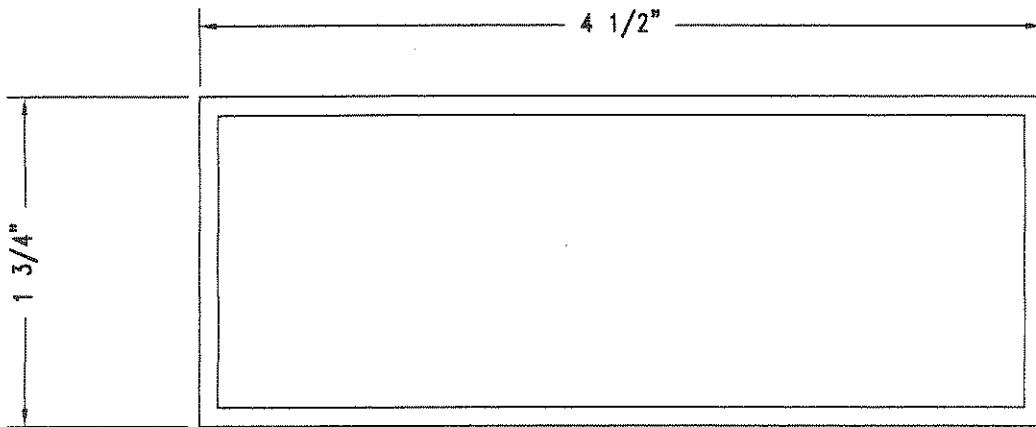
H14- 12" PULL X 28" PUSH BAR (PUSH AT BOTTOM)

TYPICAL ENTRANCE DETAILS

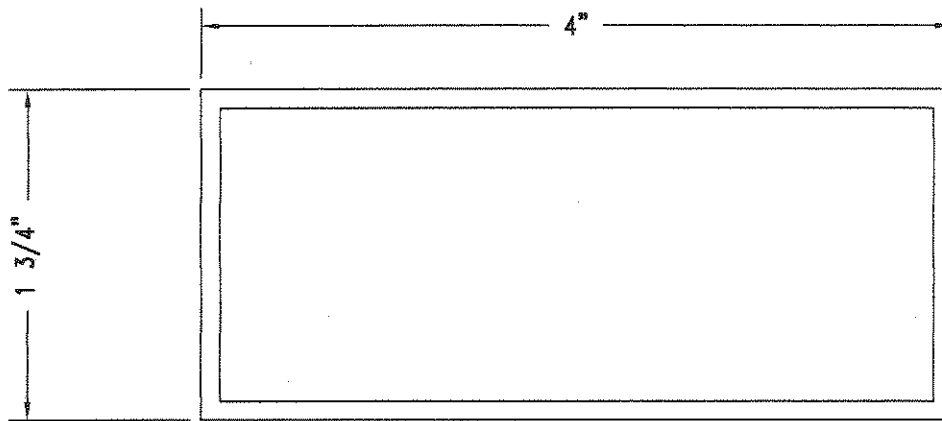
DWG. NO.

12" PULL X 28" PUSH BAR (PUSH BAR AT BOTTOM OF DOOR)

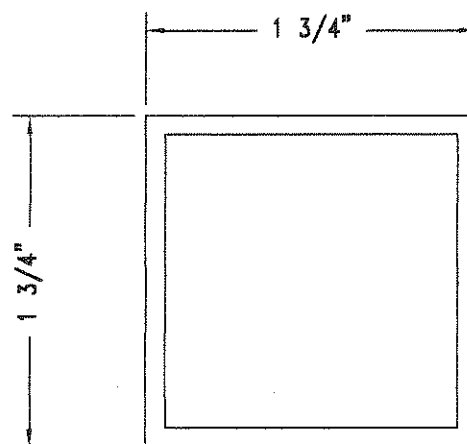
H14



1 3/4" X 4 1/2" HEADER



1 3/4" X 4" HEADER



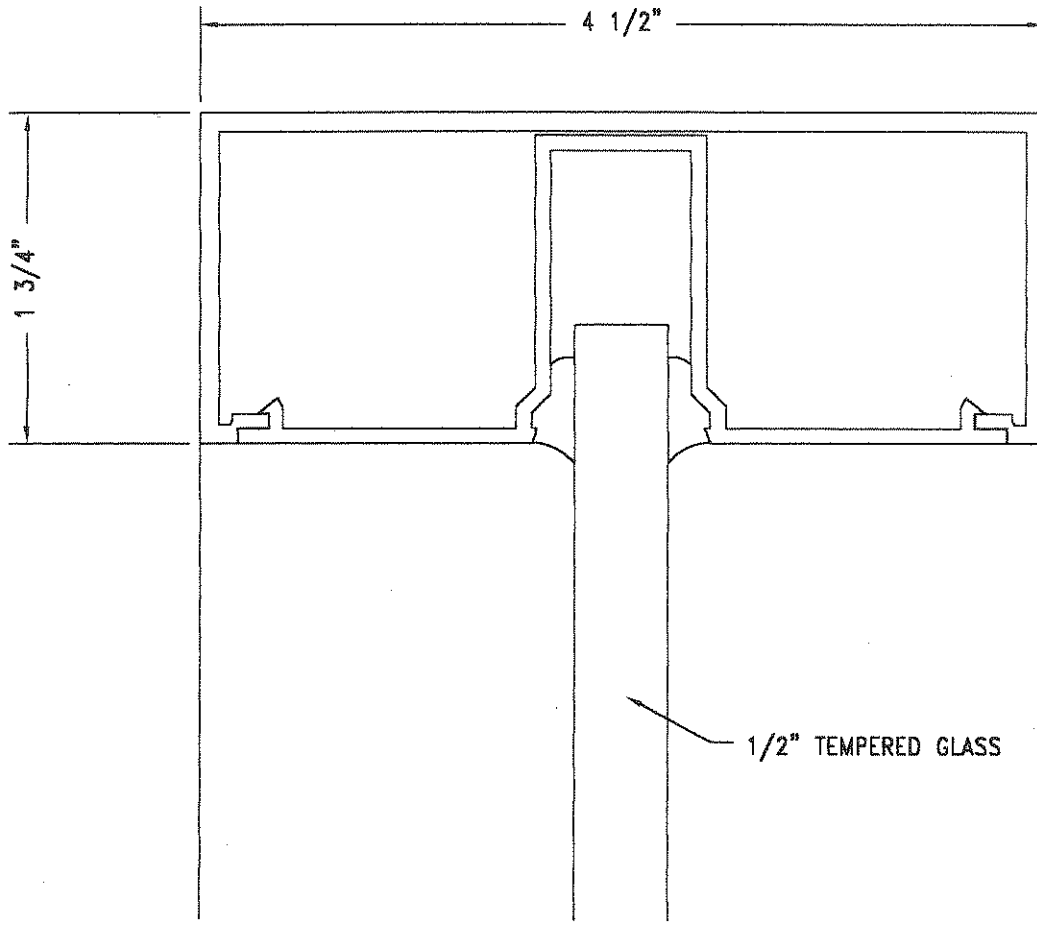
1 3/4" X 1 3/4" HEADER

TYPICAL ENTRANCE DETAILS

DWG. NO.

HEADER TUBES

H15



H16- SIDELITE HEADER TUBE

TYPICAL ENTRANCE DETAILS

DWG. NO.

SIDELITE HEADER TUBE

H16